

# POWER WAVE C300 CE

---

Spare Parts .....	1
POWER WAVE ® C300 CE .....	1
Fig.A : Case Front Assembly (P-635-C.1) .....	2
Fig.B : Base Assembly (P-635-D.1) .....	3
Fig.C : Sub Assembly (P-635-E.1) .....	4
Fig.D : Output Choke Assembly (P-635-F.1) .....	4
Fig.E : Wire Drive & Motor Assembly (P-635-G.1) .....	5
Fig. F : Rear Panel Assembly (P-635-H.1) .....	6
Fig.G : Roof, Top Extrusion & Door Assembly (P-635-J.1) .....	7
Electrical Schematic .....	8
POWER WAVE ® C300 CE code 11624 .....	8



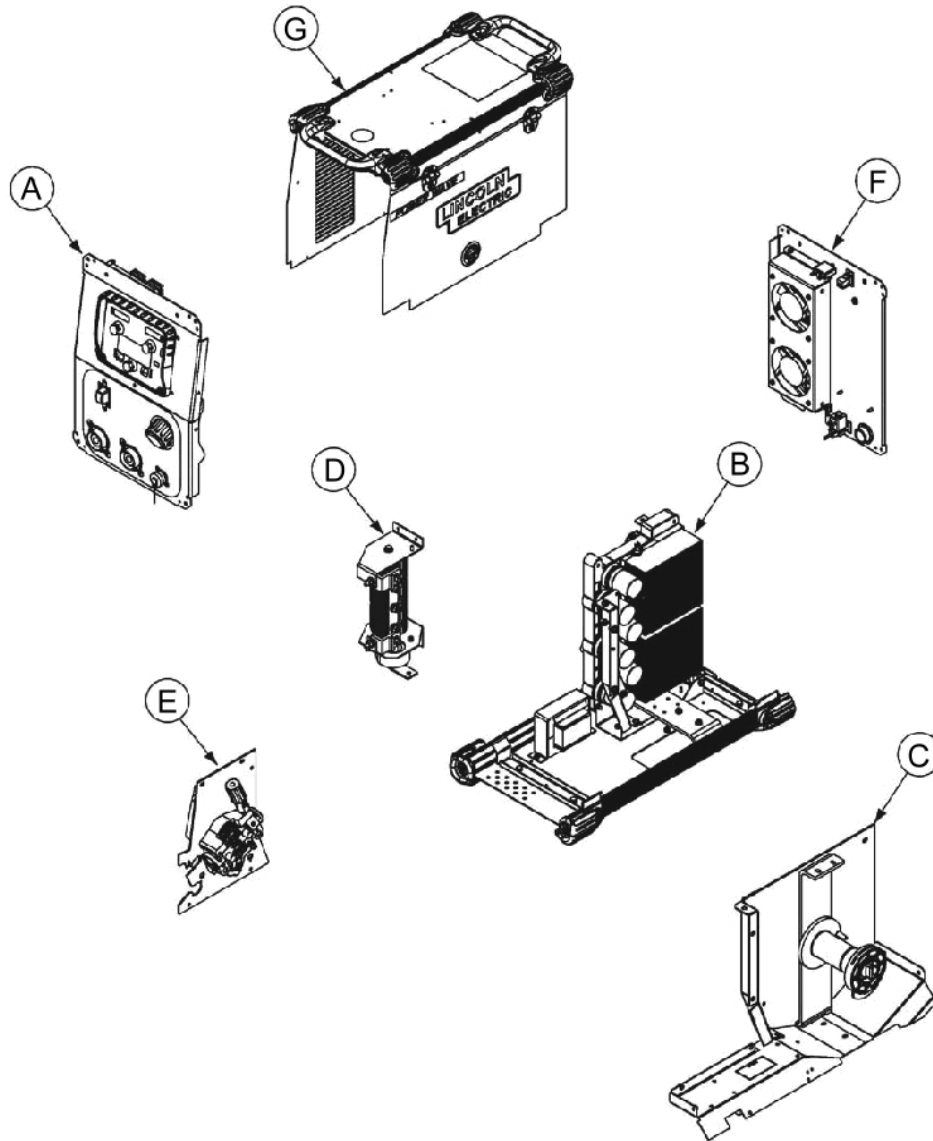
THE LINCOLN ELECTRIC COMPANY  
22801 St. Clair Ave., Cleveland Ohio 44117-1199 USA  
[www.lincolnelectric.eu](http://www.lincolnelectric.eu)

# Spare Parts

SP11624 Rev. 0  
07/03

## POWER WAVE ® C300 CE

ASSEMBLY PAGE NAME			Case Front Assembly (P-635-C.1)	Base Assembly (P-635-D.1)	Sub Assembly (P-635-E.1)	Output Choke Assembly (P-635-F.1)	Wire Drive & Motor Assembly (P-635-G.1)	Rear Panel Assembly (P-635-H.1)	Roof, Top Extrusion & Door Assembly (P-635-J.1)
CODE NO.:	K NO.:	FIGURE NO.:	A	B	C	D	E	F	G
11624	K2865-1	POWER WAVE ® C300 CE	1	1	1	1	1	1	1



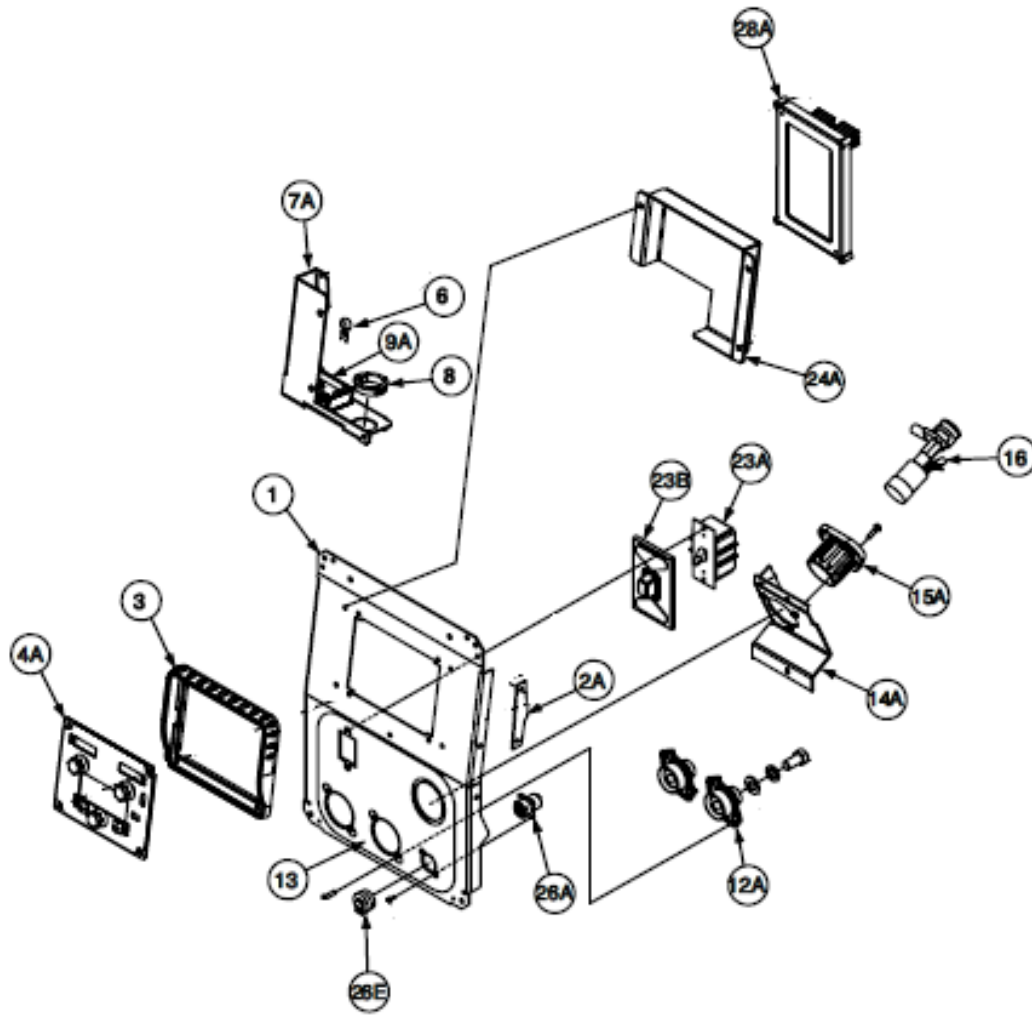


Figure A

Fig.A : Case Front Assembly (P-635-C.1)

Item	Description	Part Number	QTY	1	2	3	4	5	6	7
	Case Front Assembly (G6049-2)	NSS	1	X						
1	Case Front	G5120-2	1	X						
2A	Gusset	S27254	1	X						
3	UI Trim	G6529	1	X						
4A	User Interface	G6554-1	1	X						
6	Capacitor Assembly	S27473	1	X						
7A	P.C. Board Mounting Bracket	L13263-4	1	X						
8	Bushing	T12380-8	1	X						
9A	Noise Suppressor Assembly	S25304-7	1	X						
12A	Output Stud	M13896-3	2	X						
12F	Suppressor Assembly (Not Shown)	S18858-10	2	X						
14A	Euro Connector Bracket	L15674	1	X						
15A	Euro Connector Sleeve	M22357	1	X						
16	Euro Connector Assembly	M22354	1	X						
23A	Line Switch	S20030	1	X						
23B	Switch Cover	S25384-1	1	X						
24A	UI Board Cover	L12781	1	X						
26A	Connector-12 Socket (Part of G6096-1 Feedhead Board Harness)	S12021-78	1	X						
26E	Cap - Cable Connector	S17062-12	1	X						
28A	Input Control Board	G5915-[ ]	1	X						

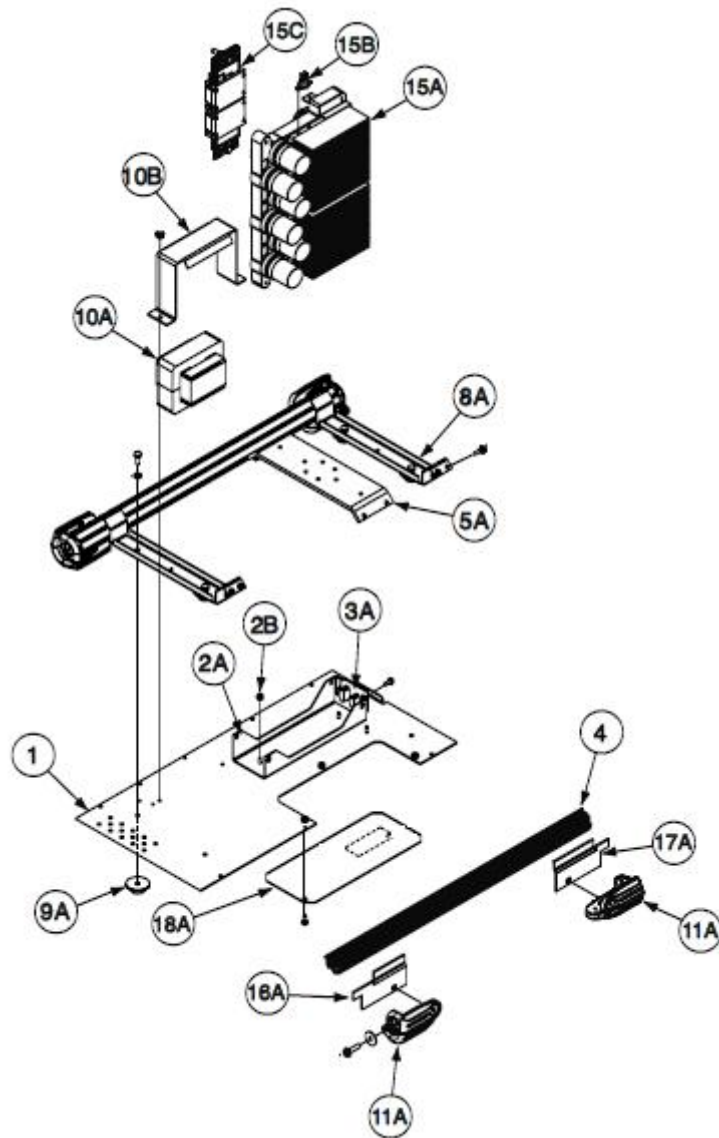


Figure B

Fig.B : Base Assembly (P-635-D.1)

Item	Description	Part Number	QTY	1	2	3	4	5	6	7
	Base Assembly (G6050-1)	NSS	1	X						
1	Base	L13264-1	1	X						
2A	Bottom Power Board Bracket	M21469-4	1	X						
3A	Connector Insulator	S28286	1	X						
4	Base Extrusion	M21251-2	2	X						
5A	Wire Reel Support Bracket	L13257-1	1	X						
8A	Bracket	L15091	2	X						
9A	Mounting Foot	S28070	4	X						
10A	Input Choke	M21489	1	X						
10B	Choke Mounting Bracket	M21468	1	X						
11A	Corner Cap	L13138	4	X						
15A	Power Conversion Assembly, Includes:	G6037	1	X						
15B	Thermostat	T13359-29	1	X						
15C	Transformer Assembly	G6056	1	X						
16A	Corner Bracket	S27207	1	X						
17A	Rear Corner Bracket	S27273	1	X						
18A	Input Cable Access Cover	M22401	1	X						

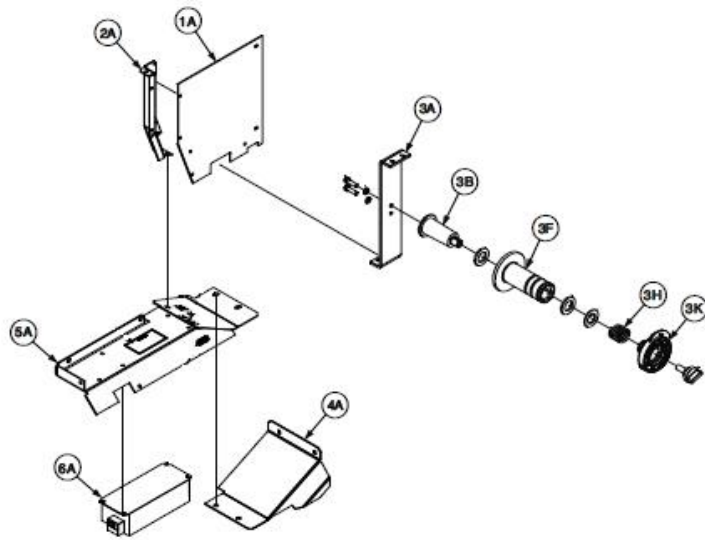


Figure C

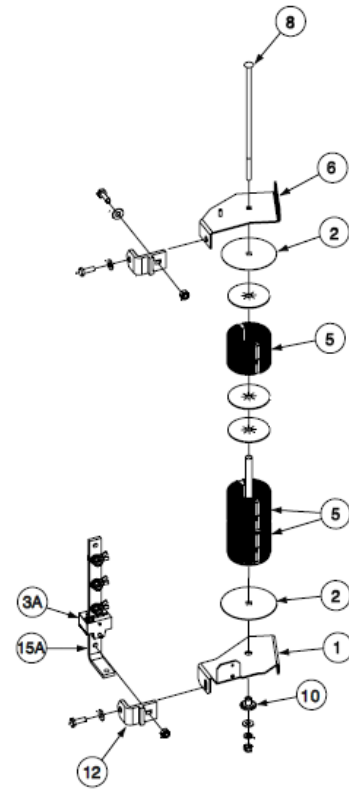


Figure D

**Fig.C : Sub Assembly (P-635-E.1)**

Item	Description	Part Number	QTY	1	2	3	4	5	6	7
	Sub Assembly (G6083-1)	NSS	1	X						
1A	Center Panel	G6722	1	X						
2A	Angle Cover	M22330	1	X						
3	Spindle Assembly, Includes:	L15679	1	X						
3A	Spindle Mast	G6727	1	X						
3B	Spindle Shaft	M21542-1	1	X						
3F	Spindle	L10560-2	1	X						
3H	Spring	T11862-14	1	X						
3K	Retaining Collar Assembly	S23811	1	X						
4A	Rear Floor Panel	G6729	1	X						
5A	Front Floor Panel	G6730	1	X						
6A	CE Filter	M18185-12	1	X						

**Fig.D : Output Choke Assembly (P-635-F.1)**

Item	Description	Part Number	QTY	1	2	3	4	5	6	7
	Output Choke Assembly	L13270-2	1	X						
1	Bottom Choke Bracket	M21472-2	1	X						
2	Choke Insulation	S28371	2	X						
3A	Current Transducer	S18504-10	1	X						
5	Output Choke	S26801	3	X						
6	Top Choke Bracket	M21471-2	1	X						
8	1/4-20 x 9.00 Carriage Bolt	T11827-3	1	X						
10	Spacer	T14605	1	X						
12	Heatsink Holder	S22168	2	X						
15A	Bus Bar	M22372	1	X						

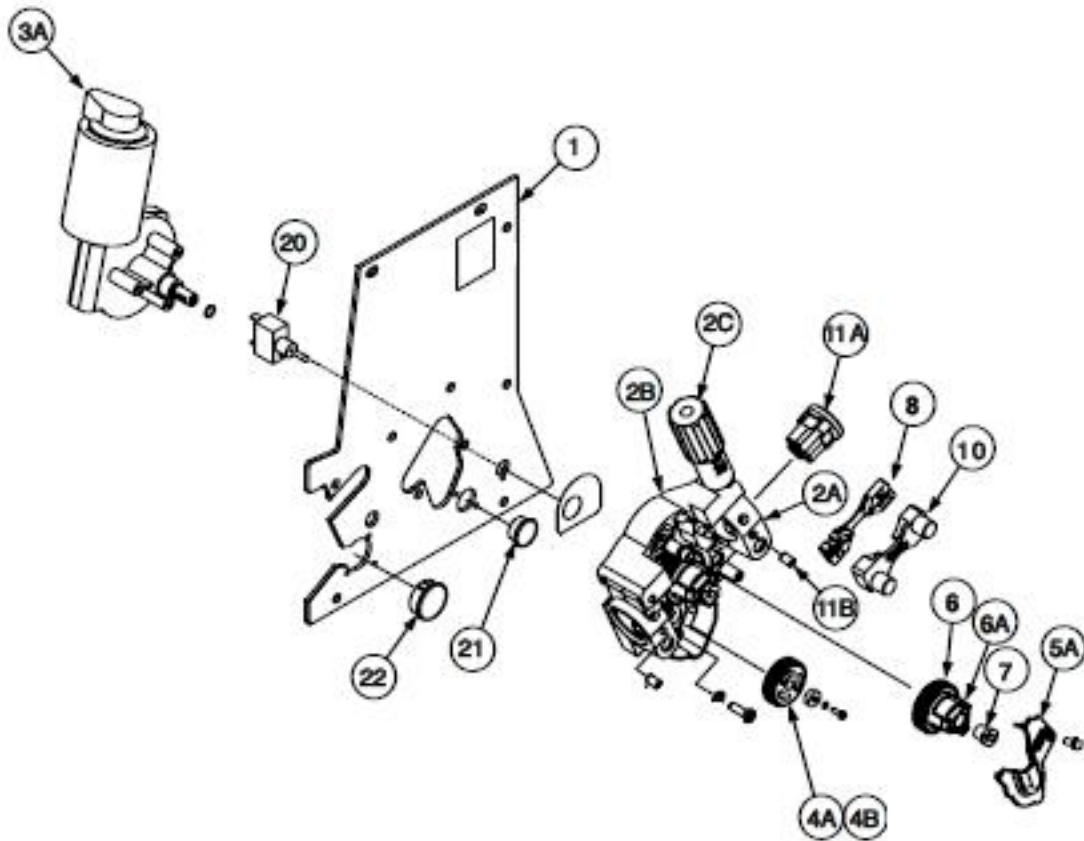


Figure E

**Fig.E : Wire Drive & Motor Assembly (P-635-G.1)**

Item	Description	Part Number	QTY	1	2	3	4	5	6	7
	Wire Drive & Motor Assembly	M21491-1	1	X						
1	Gearbox Mounting Panel	M20086-3	1	X						
2	Feedplate Assembly	M19932-8	1	X						
2A	Feedplate	NSS	1	X						
2B	Idle Arm	NSS	1	X						
2C	Adjustment Arm Assembly	M19179-1	1	X						
3	Motor Gearbox Assembly	L12085	1	X						
3A	Drive Motor	NSS	1	X						
3B	Connector, Molex (Not Shown)	S24018-8	1	X						
3C	Locking Post (Not Shown)	S24019-8	1	X						
4A	Drive Gear	M19870	1	X						
4B	Collar	S25414	1	X						
5A	Cover	M19999	1	X						
6	Drive Roll Shaft Assembly	S25638	2	X						
6A	Twist Lock Ring	S25308	2	X						
7	Retainer	S25403	2	X						
8	Wire Guide Assembly, Inner (.035/.045) (2 Roll)	KP2178-6	1	X						
9	Drive Roll (Not Shown) (Sold as Drive Roll Kits)	See Accessories	2	X						
10	Wire Guide Assembly, Outer (2 Roll)	KP2071-3	1	X						
11A	Ball Bushing Assembly	M18947-1	1	X						
20	Toggle Switch	T10800-49	1	X						
21	Plug Button (Small)	T10397-2	1	X						
22	Plug Button (Large)	T10397-23	1	X						

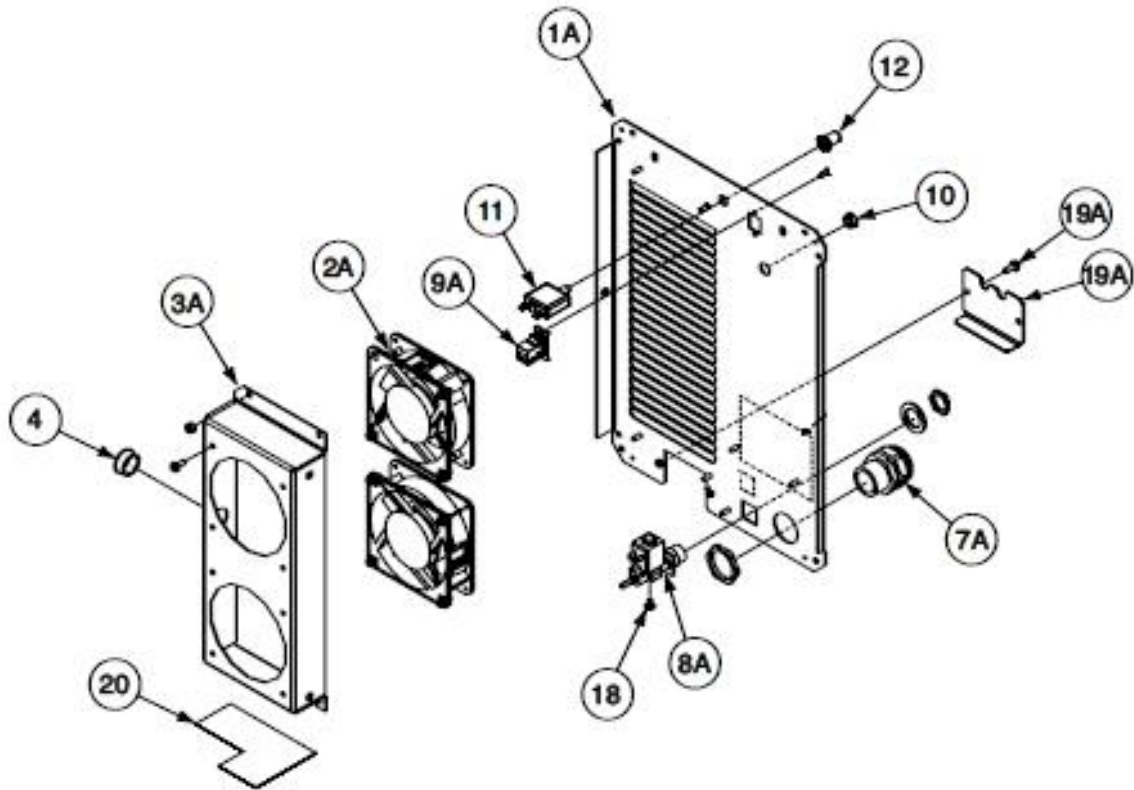


Figure F

**Fig. F : Rear Panel Assembly (P-635-H.1)**

Item	Description	Part Number	QTY	1	2	3	4	5	6	7
1	Rear Panel Assembly, Includes:	L13272-1	1	X						
1A	Rear Panel	G5130-1	1	X						
2A	Fan Assembly	M22149	2	X						
3A	Fan Bracket	L13239-1	1	X						
4	Bushing	T12380-4	1	X						
7A	Cord Grip Connector	S19999	1	X						
8A	Solenoid	M17294-8	1	X						
9A	Ethernet Connector	M19969-14	1	X						
10	Plug Button	T10397-6	1	X						
11	Circuit Breaker	T12287-8	1	X						
12	Sealing Boot	S22061-2	1	X						
19A	Water Cooler Access Cover	S28287	1	X						
20	Baffle	S28354	1	X						
23	Input Lead Assembly (Not Shown)	S24992-7	1	X						



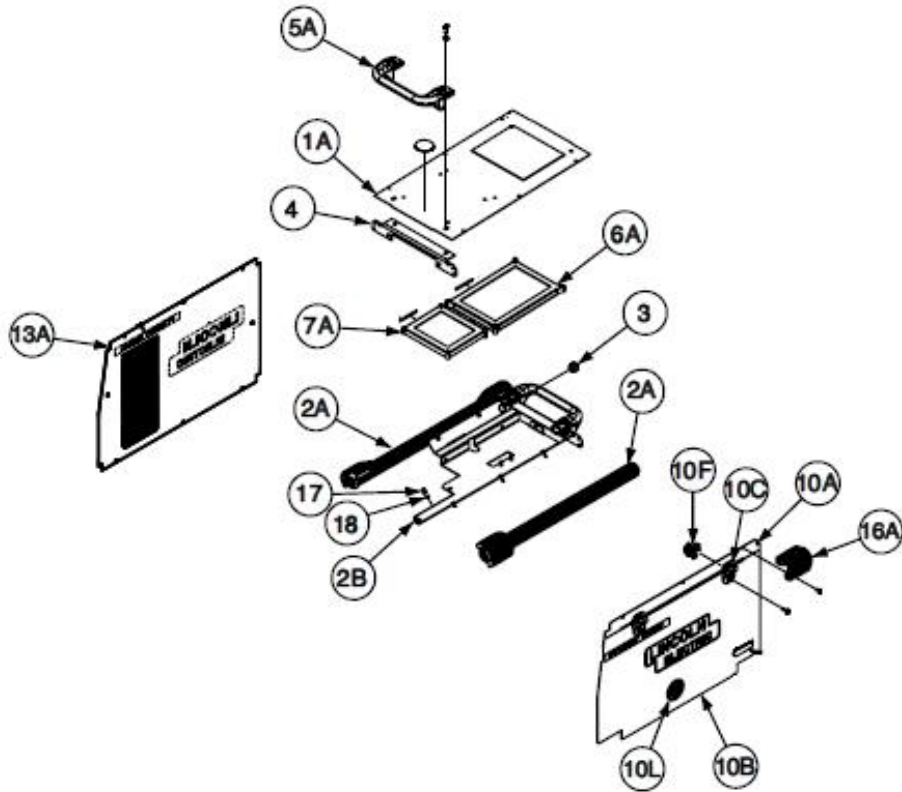


Figure G

**Fig.G : Roof, Top Extrusion & Door Assembly (P-635-J.1)**

Item	Description	Part Number	QTY	1	2	3	4	5	6	7
1	Roof Assembly, Includes	L15724	1	X						
1A	Roof	L12763-2	1	X						
2	Top Extrusion Assembly, Includes:	M22382	1	X						
2A	Top Extrusion	M21251-1	2	X						
2B	Inner Roof	G6728	1	X						
3	Bushing	T12380-5	1	X						
4	Handle Bracket	L15070	2	X						
5A	Handle	G6525-1	2	X						
6A	Control Board	S28929-[ ]	1	X						
7A	Wire Drive Board	S28256-[ ]	1	X						
10	Door Assembly, Includes:	G6080-2	1	X						
10A	Door Bracket Assembly	M21526-1	1	X						
10B	Door	NSS	1	X						
10C	Hinge (Both Pieces)	S25898-1	2	X						
10F	Spring	S22751-1	1	X						
10L	Door Latch	M20977	1	X						
13	Left Case Side Assembly (M22130), Includes:	NSS	1	X						
13A	Left Case Side	L13232	1	X						
16A	Corner Cap	L13138	4	X						
17	LED Lens	S23093-1	2	X						
18	LED Retainer	S23094-1	2	X						
19	Secondary Control Harness, Includes:	G6095-4	1	X						
19A	LED Panel Mount Asbly (Not Shown)	S23740-5	1	X						
19B	Bi-Color LED (Not Shown)	T13657-7H24	1	X						
20	Feedhead Board Harness, Includes:	G6096-1	1	X						
20A	LED Panel Mount Asbly (Not Shown)	S23740-3	1	X						
20B	Bi-Color LED (Not Shown)	T13657-7H24	1	X						



