

# ASPECT™ 300

---

|  |   |
|--|---|
| Spare Parts.....                                   | 1 |
| ASPECT 300.....                                    | 1 |
| ASPECT 300 Assemblies overview .....               | 1 |
| Figure A: ASPECT 300 Machine Central Assembly..... | 2 |
| Figure B: ASPECT 300 Machine Front Assembly.....   | 3 |
| Figure C: ASPECT 300 Machine Rear Assembly .....   | 4 |
| Figure D: ASPECT 300 Machine Top Assembly.....     | 5 |
| Figure E: ASPECT 300 Machine Bottom Assembly.....  | 6 |
| Electrical Schematic.....                          | 7 |
| ASPECT 300 code 52125.....                         | 7 |

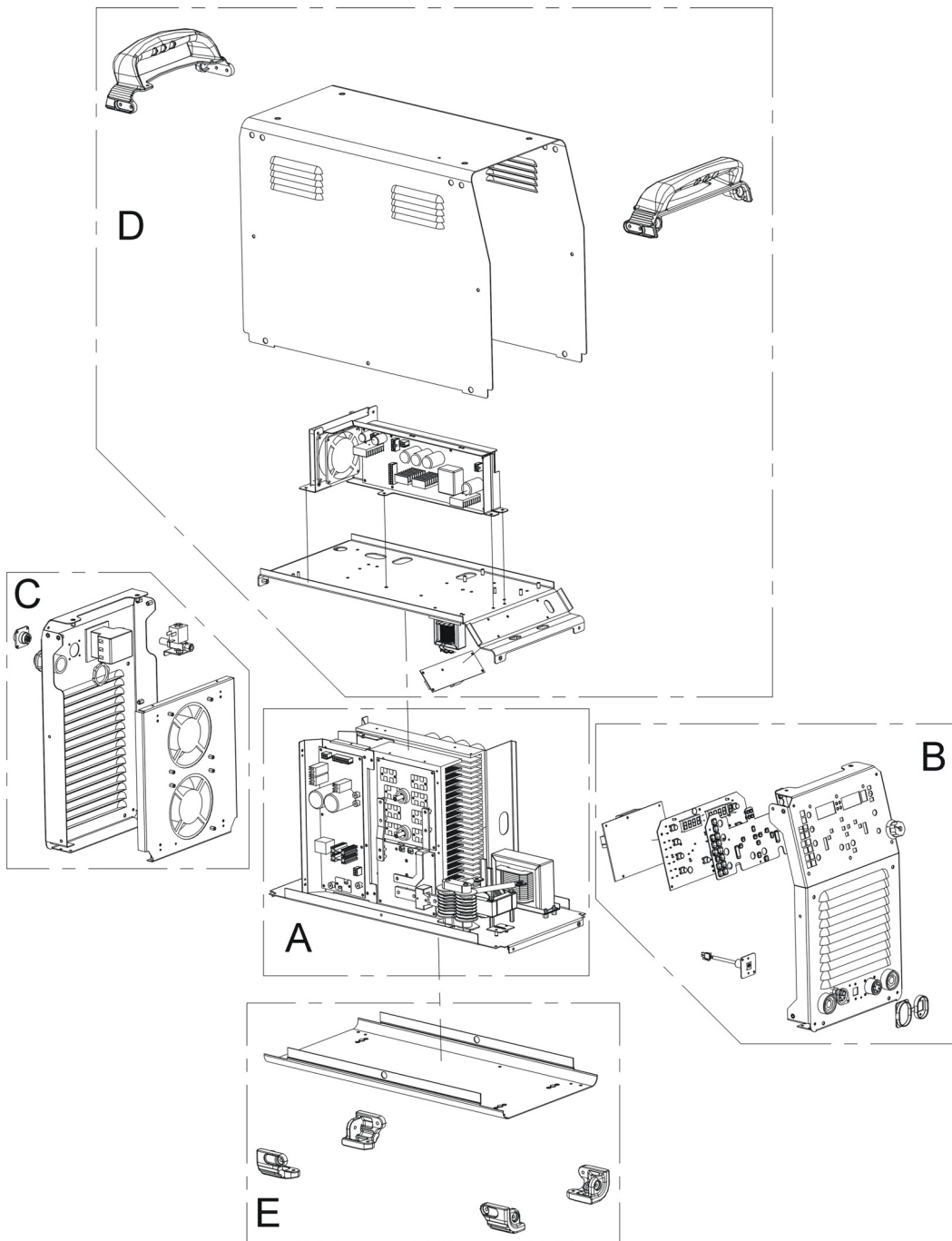


# Spare Parts

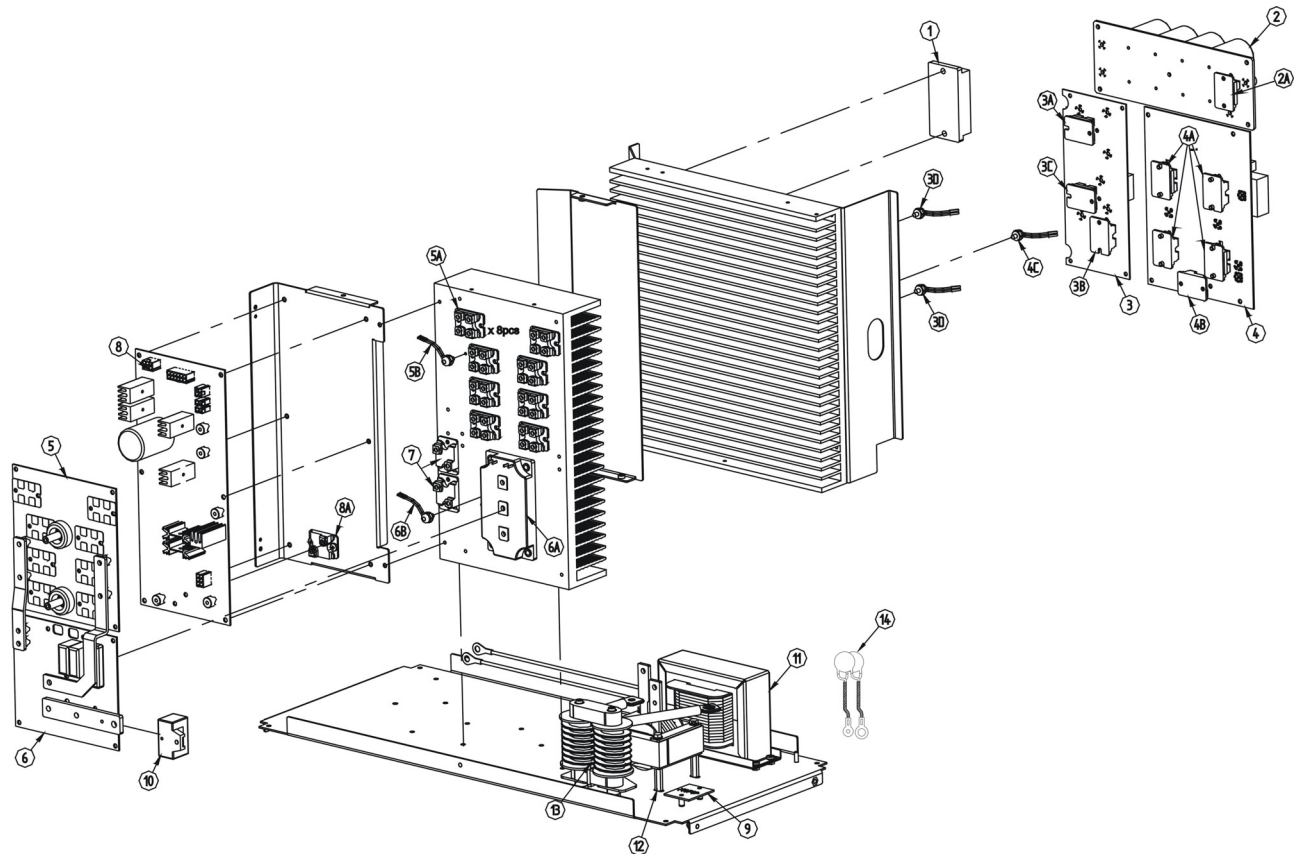
SP52105 Rev02  
07/03

## ASPECT 300

| ASSEMBLY PAGE NAME |             | Assemblies overview | Machine Central Assembly | Machine Front Assembly | Machine Rear Assembly | Machine Top Assembly | Machine Bottom Assembly |  |
|--------------------|-------------|---------------------|--------------------------|------------------------|-----------------------|----------------------|-------------------------|--|
| CODE NO.:          | FIGURE NO.: | -                   | A                        | B                      | C                     | D                    | E                       |  |
| 52125              | ASPECT 300  | -                   | 1                        | 1                      | 1                     | 1                    | 1                       |  |

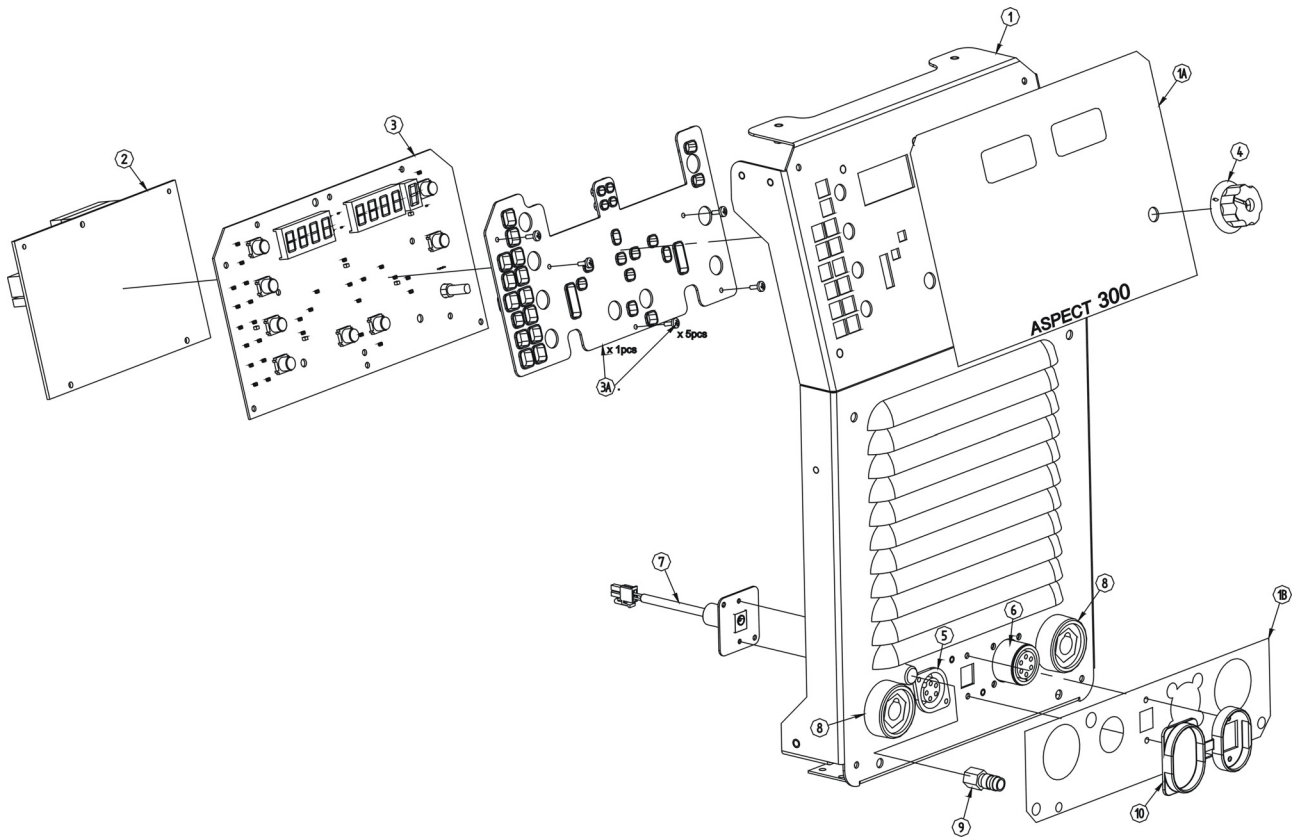


**ASPECT 300 Assemblies overview**



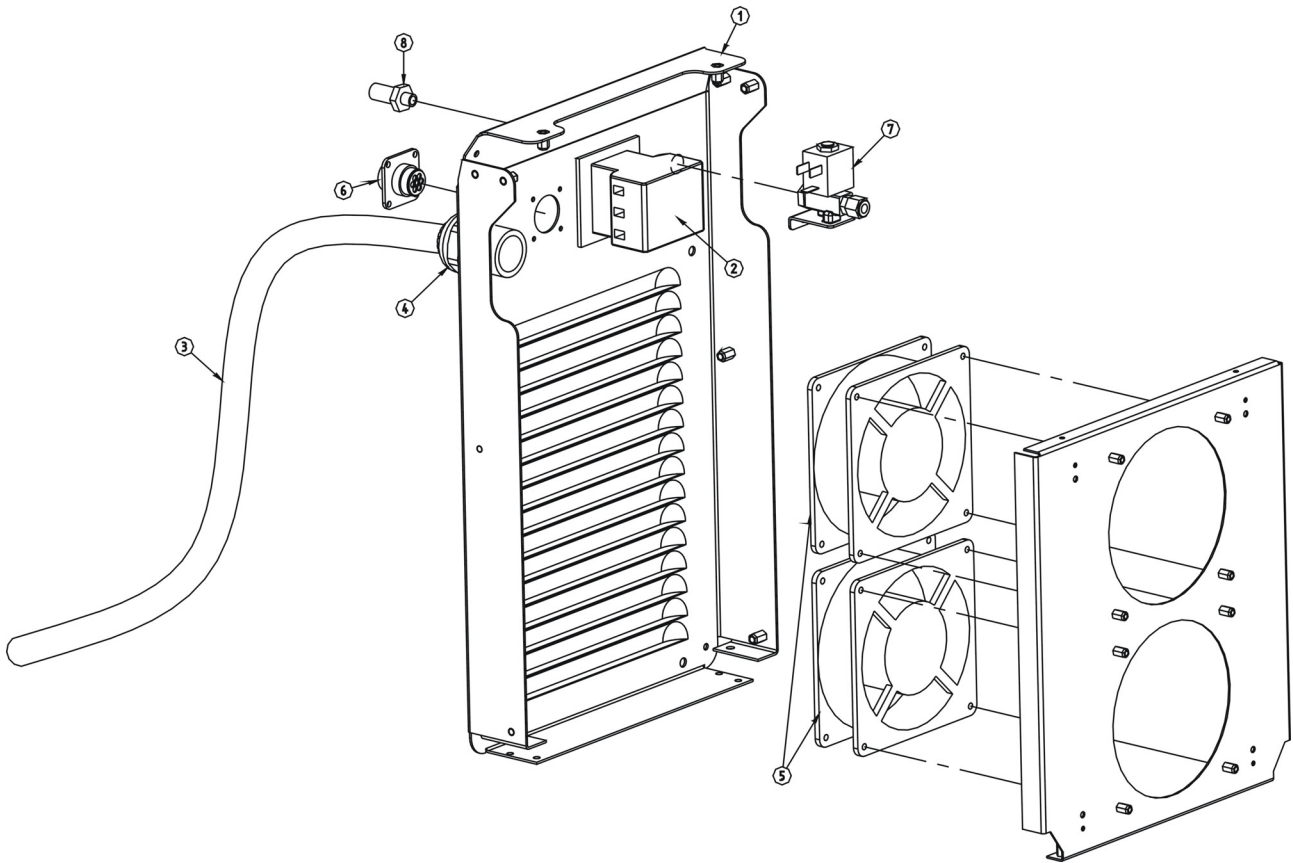
**Figure A: ASPECT 300 Machine Central Assembly**

| Item | Description             | Part Number   | QTY | 1 | 2 | 3 | 4 | 5 | 6 |
|------|-------------------------|---------------|-----|---|---|---|---|---|---|
| 1    | INPUT BRIDGE            | W4100021R     | 1   | X |   | 3 | 4 |   | 6 |
| 2    | CAPS BOARD              | W05X1470R     | 1   | X |   |   |   |   |   |
| 2A   | + POWER RESISTOR        | W1810233R     | 1   | X |   |   |   |   |   |
| 3    | BUCK BOOST BOARD        | W05X0982-1R   | 1   | X |   |   |   |   |   |
| 3A   | + POWER IGBT BOOST      | W4300072R     | 1   | X |   |   |   |   |   |
| 3B   | + POWER IGBT BUCK       | W4300089R     | 1   | X |   |   |   |   |   |
| 3C   | + POWER DIODE           | W4060121R     | 1   | X |   |   |   |   |   |
| 3D   | + THERMAL SENSOR        | R-5141-029-1R | 2   | X |   |   |   |   |   |
| 4    | INVERTER P.C. BOARD     | W05X1327-3R   | 1   | X |   |   |   |   |   |
| 4A   | + POWER IGBT            | W4300074R     | 4   | X |   |   |   |   |   |
| 4B   | + POWER RESISTOR        | W1810010R     | 1   | X |   |   |   |   |   |
| 4C   | + THERMOSTAT SENSOR     | W2510070R     | 1   | X |   |   |   |   |   |
| 5    | OUTPUT DIODE ACDC BOARD | W05X1523R     | 1   | X |   |   |   |   |   |
| 5A   | + POWER DIODE           | W4010060R     | 8   | X |   |   |   |   |   |
| 5B   | + THERMAL SENSOR        | R-5141-029-2R | 1   | X |   |   |   |   |   |
| 6    | OUTPUT IGBT ACDC BOARD  | W05X1524R     | 1   | X |   |   |   |   |   |
| 6A   | + POWER IGBT            | W4300087R     | 1   | X |   |   |   |   |   |
| 6B   | + THERMAL SENSOR        | R-5141-029-2R | 1   | X |   |   |   |   |   |
| 7    | SNUBBER RESISTOR        | W1810010R     | 2   | X |   |   |   |   |   |
| 8    | OUTPUT P.C. BOARD       | W05X1527R     | 1   | X |   |   |   |   |   |
| 8A   | + POWER RESISTOR        | W1810133R     | 1   | X |   |   |   |   |   |
| 9    | CAPACITOR P.C. BOARD    | W05X1516-2R   | 1   | X |   |   |   |   |   |
| 10   | HALL SENSOR             | W4900004R     | 1   | X |   |   |   |   |   |
| 11   | BB CHOKE                | W58X1072R     | 1   | X |   |   |   |   |   |
| 12   | OUT INDUCTOR            | W58X1466R     | 1   | X |   |   |   |   |   |
| 13   | HF TRANSFORMER          | W59X1520R     | 1   | X |   |   |   |   |   |
| 14   | EMI CAPACITORS ASSEMBLY | R-5141-041-1R | 1   | X |   |   |   |   |   |



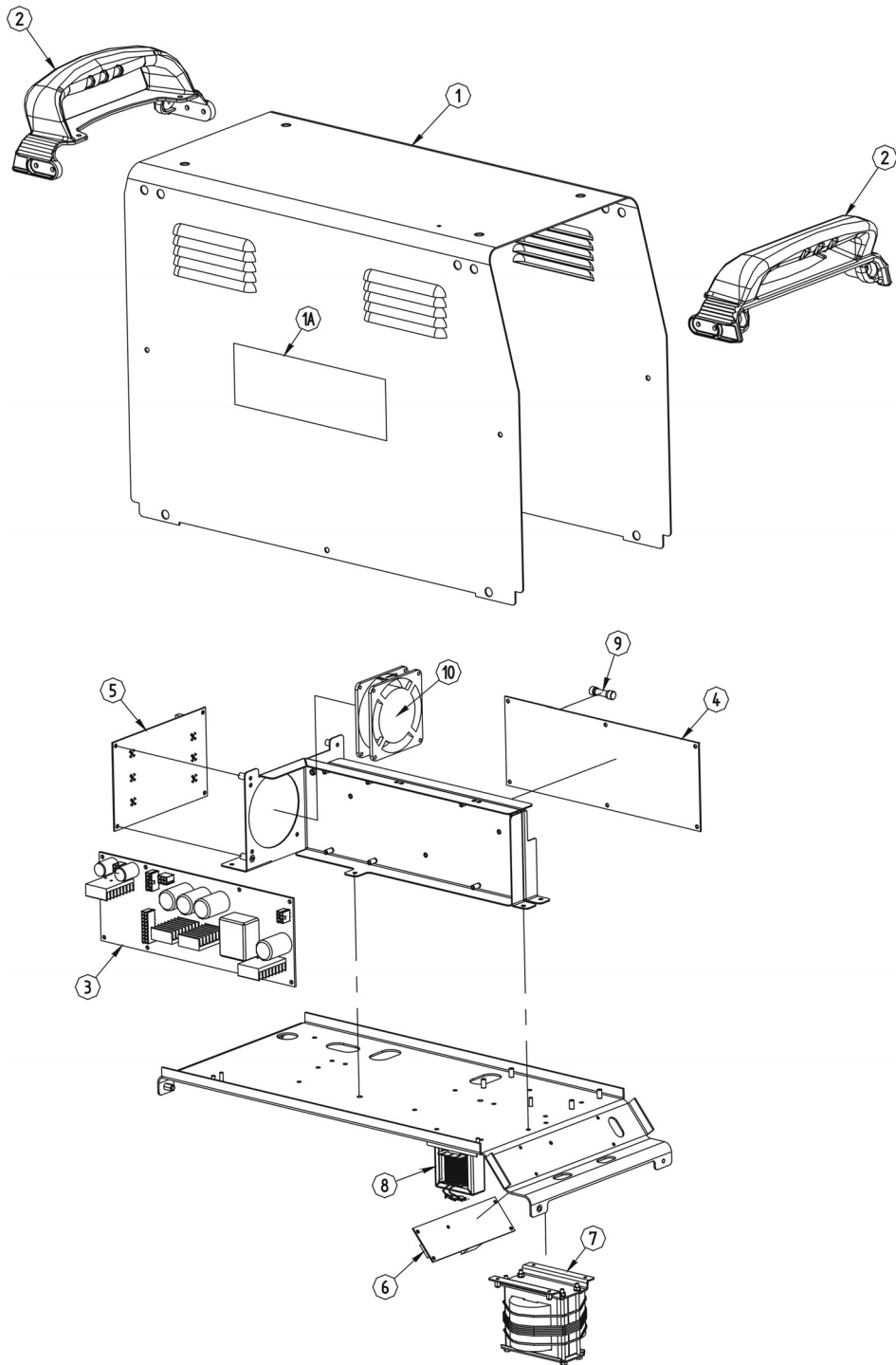
**Figure B: ASPECT 300 Machine Front Assembly**

| Item | Description                     | Part Number      | QTY | 1 | 2 | 3 | 4 | 5 | 6 |
|------|---------------------------------|------------------|-----|---|---|---|---|---|---|
| 1    | FRONT FRAME                     | R-3119-001-1/08R | 1   | X |   |   |   |   |   |
| 1A   | + FRONT NAMEPLATE               | + W07X1537R      | 1   | X |   |   |   |   |   |
| 1B   | + FRONT SYMBOL NAMEPLATE        | + W07X1567R      | 1   | X |   |   |   |   |   |
| 2    | CONTROL P.C. BOARD              | W05X1648R        | 1   | X |   |   |   |   |   |
| 3    | DISPLAY P.C. BOARD              | W05X1649R        | 1   | X |   |   |   |   |   |
| 3A   | + LIGHT GUIDE and its screws    | + W95X1570R      | 1   | X |   |   |   |   |   |
| 4    | KNOB                            | 9SM22778-2       | 1   | X |   |   |   |   |   |
| 5    | TRIGGER TORCH CONNECTOR         | R-5141-042-1R    | 1   | X |   |   |   |   |   |
| 6    | REMOTE CONTROL CONNECTOR        | R-5141-046-1R    | 1   | X |   |   |   |   |   |
| 7    | WIRELESS POWER CONNECTOR        | R-5141-039-1R    | 1   | X |   |   |   |   |   |
| 8    | DINSE CONNECTOR                 | W7690350R        | 2   | X |   |   |   |   |   |
| 9    | FITTING QUICK CONNECTION PU 1/8 | W8800082R        | 1   | X |   |   |   |   |   |
| 10   | PLASTIC COVER CAP FOR WIRELESS  | 9SM22444         | 1   | X |   |   |   |   |   |



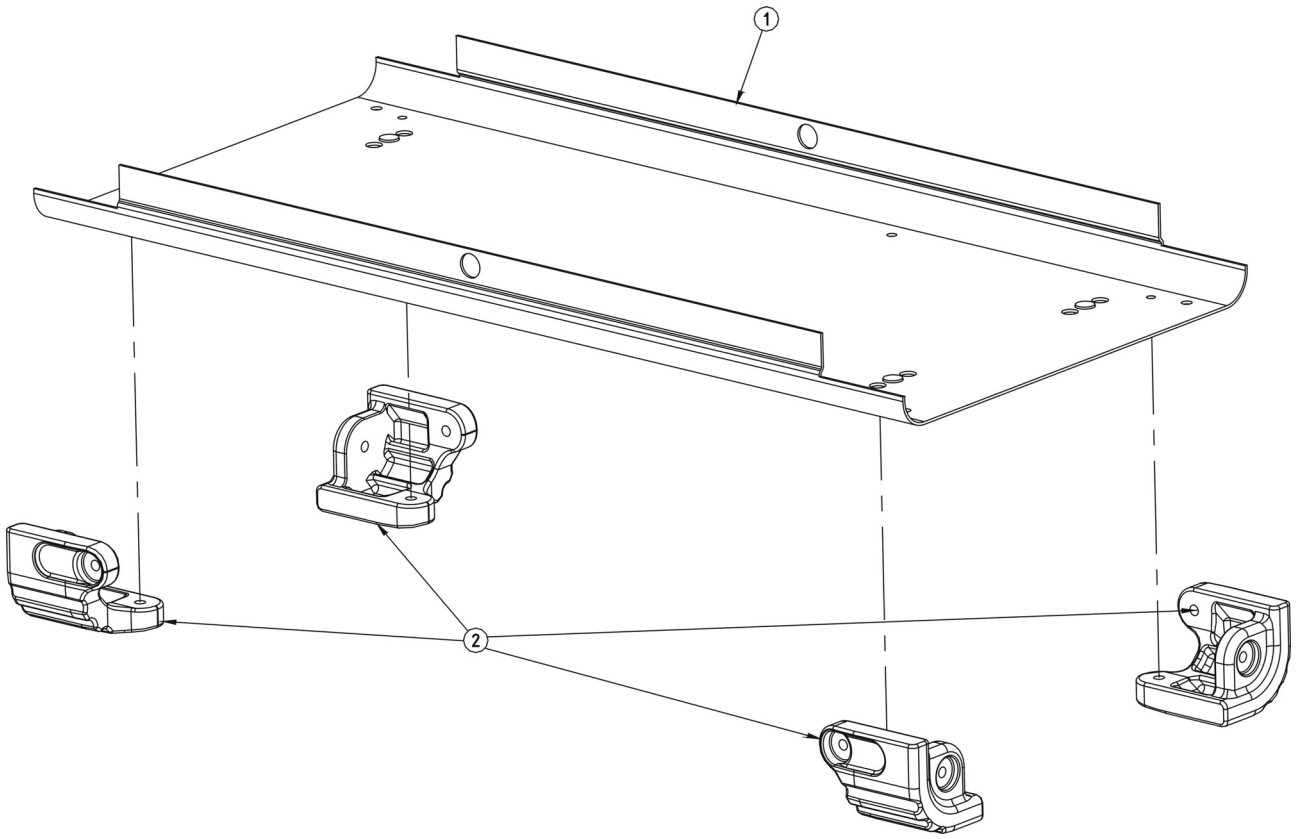
**Figure C: ASPECT 300 Machine Rear Assembly**

| Item | Description               | Part Number      | QTY | 1 | 2 | 3 | 4 | 5 | 6 |
|------|---------------------------|------------------|-----|---|---|---|---|---|---|
| 1    | REAR FRAME                | R-3119-002-1/08R | 1   | X |   |   |   |   |   |
| 2    | MAIN SWITCH               | W7511706R        | 1   | X |   |   |   |   |   |
| 3    | INPUT CORD                | R-5141-035-1R    | 1   | X |   |   |   |   |   |
| 4    | CABLE CLAMP WITH NUT      | W8403223R        | 1   | X |   |   |   |   |   |
| 5    | FAN                       | W66X1369R        | 1   | X |   |   |   |   |   |
| 6    | WATER COOLER CONNECTOR    | R-5141-022-1R    | 1   | X |   |   |   |   |   |
| 7    | SOLENOID VALVE            | W8500011R        | 1   | X |   |   |   |   |   |
| 8    | FITTING 1/4-1/8 + NUT 1/4 | W8896074R        | 1   | X |   |   |   |   |   |



**Figure D: ASPECT 300 Machine Top Assembly**

| Item | Description                    | Part Number      | QTY | 1 | 2 | 3 | 4 | 5 | 6 |
|------|--------------------------------|------------------|-----|---|---|---|---|---|---|
| 1    | WRAPAROUND                     | R-3119-005-1/02R | 1   | X |   |   |   |   |   |
| 1A   | + KIT SIDE NAMEPLATES INVERTEC | + W07X1575R      | 2   | X |   |   |   |   |   |
| 2    | FRONT / REAR HANDLE            | W95X1150R        | 2   | X |   |   |   |   |   |
| 3    | INPUT POWER BOARD              | W05X1461R        | 1   | X |   |   |   |   |   |
| 4    | INPUT CONTROL BOARD            | W05X1460R        | 1   | X |   |   |   |   |   |
| 5    | EMI FILTER                     | W05X1471R        | 1   | X |   |   |   |   |   |
| 6    | HF P.C. BOARD                  | W05X1615R        | 1   | X |   |   |   |   |   |
| 7    | OUT TRANSFORMER                | W59X1465R        | 1   | X |   |   |   |   |   |
| 8    | BACKGROUND CHOKE COIL          | W58X1552R        | 1   | X |   |   |   |   |   |
| 9    | WATER COOLER FUSE              | W7300225R        | 1   | X |   |   |   |   |   |
| 10   | FAN ASSEMBLY                   | R-5141-026-1R    | 1   | X |   |   |   |   |   |
|      |                                |                  |     |   |   |   |   |   |   |



**Figure E: ASPECT 300 Machine Bottom Assembly**

| Item | Description          | Part Number      | QTY | 1 | 2 | 3 | 4 | 5 | 6 |
|------|----------------------|------------------|-----|---|---|---|---|---|---|
| 1    | EXTERNAL BASE        | R-3119-011-1/02R | 1   | X |   |   |   |   |   |
| 2    | KIT 4 ANTI-SLIP FOOT | W95X1147R        | 1   | X |   |   |   |   |   |
|      |                      |                  |     |   |   |   |   |   |   |

# Electrical Schematic

## ASPECT 300 code 52125

