

# PF26

---

Spare Parts .....	1
PF26 .....	1
Figure A: Machine Assembly.....	2
Figure B: Front Panel .....	3
Figure C: User Interface Assembly y .....	4
Figure D: Rear Panel.....	5
Figure E: Panel USB Divider Assembly .....	6
F: Wire Drive Assembly.....	7
Figure G: Plastic Case.....	8
Miscellaneous Items (not shown in figure A, B, C, D, E, F,G).....	8
Electrical Schematic .....	9



# Spare Parts

SP50322 REV00  
16/02

## PF26

ASSEMBLY PAGE NAME			Central Assembly	Front Panel	User Interface Assembly	Rear Panel	Panel USB Divider Assembly	Wire Drive Assembly	Plastic Case	Miscellaneous Items
CODE NO.:	K NO.:	FIGURE NO.:	A	B	C	D	E	F	G	-
50322	K14138-1	PF 26	1	1	1	1	1	1	1	1

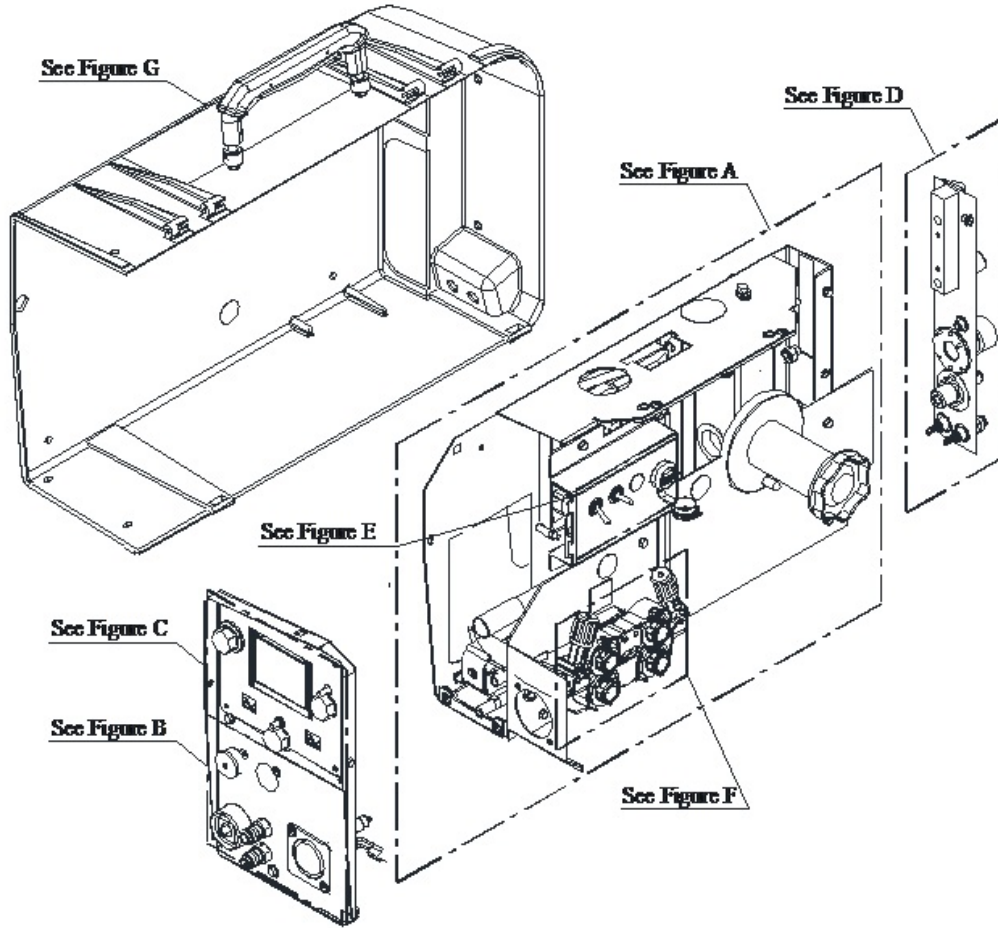


Figure of Overview

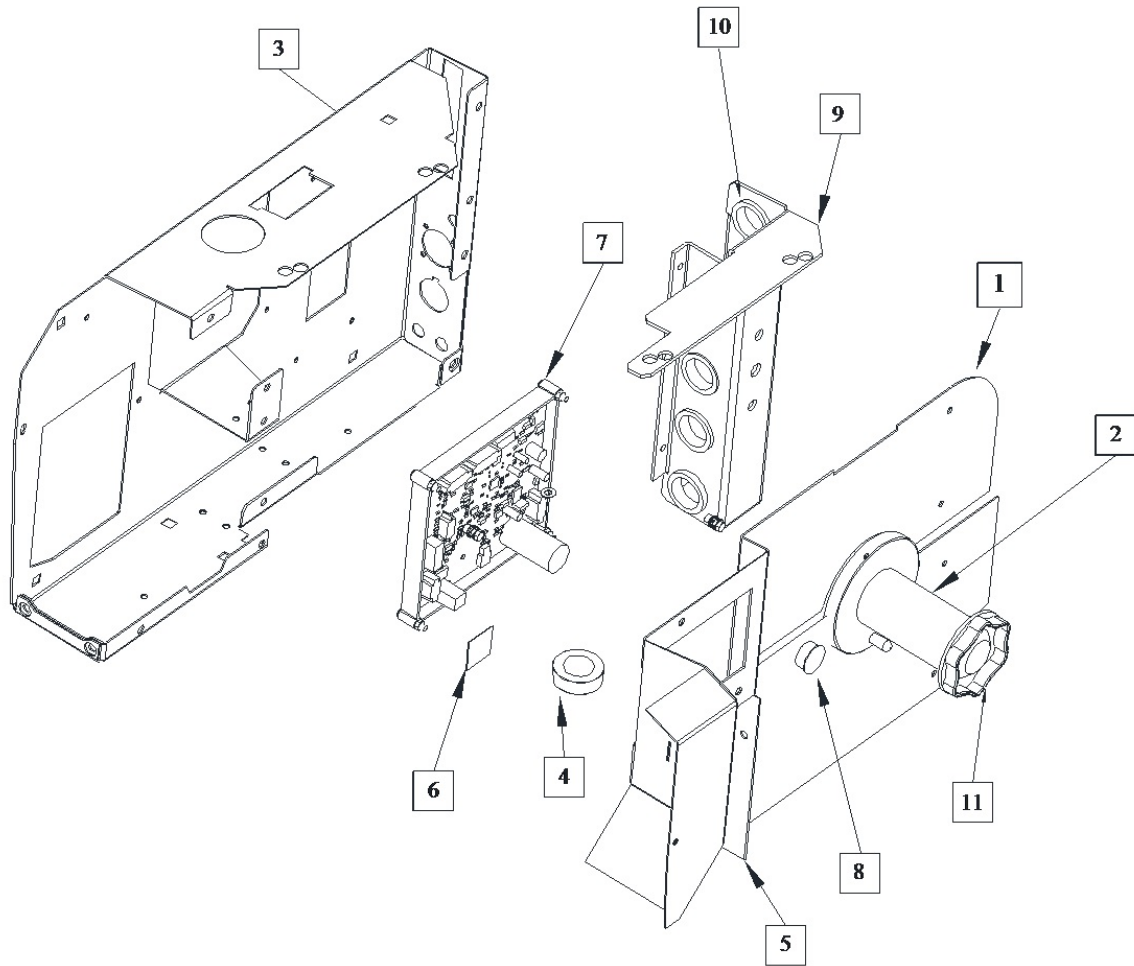


Figure A: Machine Assembly

**Figure A: Machine Assembly**

Item	Description	Part Number	QTY	1	2	3	4	5	6	7
1	BAFFLE	R-1012-725-1/08R	1	X						
2	REEL HB STANDARD	0744-000-192R	1	X						
3	MAIN FRAME	R-3016-046-1R	1	X						
4	CHOKE	R-5041-228-1R	1	X						
5	CENTRAL BRACKET	R-3019-373-1/08R	1	X						
6	WARNING STICKER	2719-107-732R	1	X						
7	MOTOR BOARD	R-6042-053-1R	1	X						
8	HOLE PLUG	0744-000-258R	2	X						
9	BRAKE BRACKET	R-1019-460-1/08R	1	X						
10	BUSHING	1361-599-249R	8	X						
11	PLASTIC NUT	B11035-1	1	X						

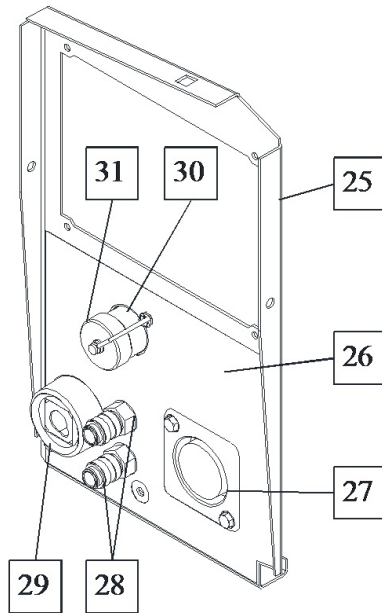


Figure B: Front Panel

**Figure B: Front Panel**

Item	Description	Part Number	QTY	1	2	3	4	5	6	7
25	FRONT PANEL	R-3019-374-1/08R	1	X						
26	STICKER	R-0010-586-1R	1	X						
27	EURO SLEEVE	0646-231-005R	1	X						
28	QUICK CONNECTOR FEMALE	0744-000-152R	2	X						
29	SOCKET X3	C-2986-001-3R	1	X						
30	SOCKET X7	1158-641-149R	1	X						
31	SOCKET X7 COVER	1158-641-159R	1	X						

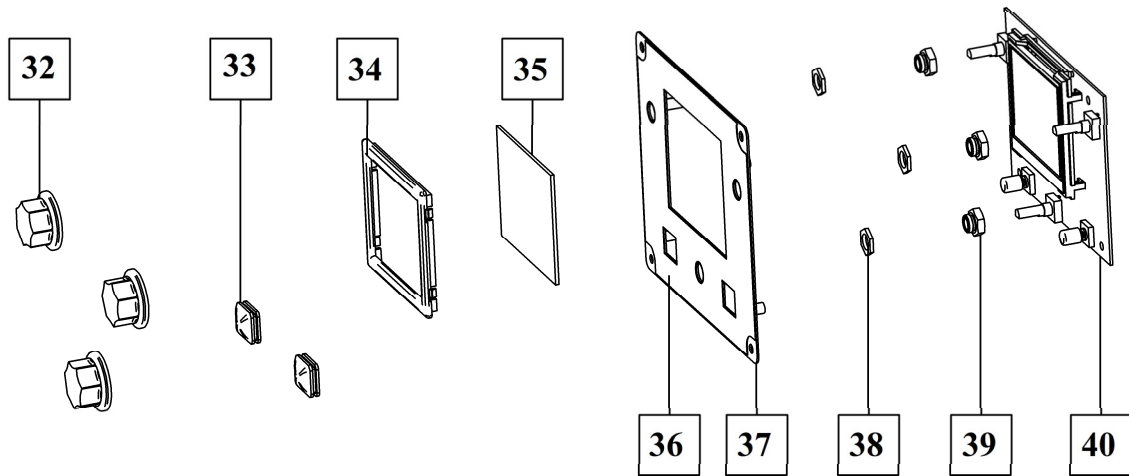


Figure C: User Interface Assembly

**Figure C: User Interface Assembly y**

Item	Description	Part Number	QTY	1			4	5	6	7
32	CONTROLS	9SS18425-1	3	X						
33	BUTTONS	1373-182-005R	2	X						
34	FRAME	R-0010-423-1R	1	X						
35	PROTECTIVE SCREEN	R-0010-450-1R	1	X						
36	STICKER	R-0010-469-1R	1	X						
37	PANEL	R-3019-274-1/08R	1	X						
38	NUT	R-2013-128-1R	3	X						
39	SLEEVE NUT	R-2013-124-1R	3	X						
40	USER INTERFACE (WITH DISPLAY)	R-6042-066-1R	1	X						
	DISPLAY	W4505306R	1	X						

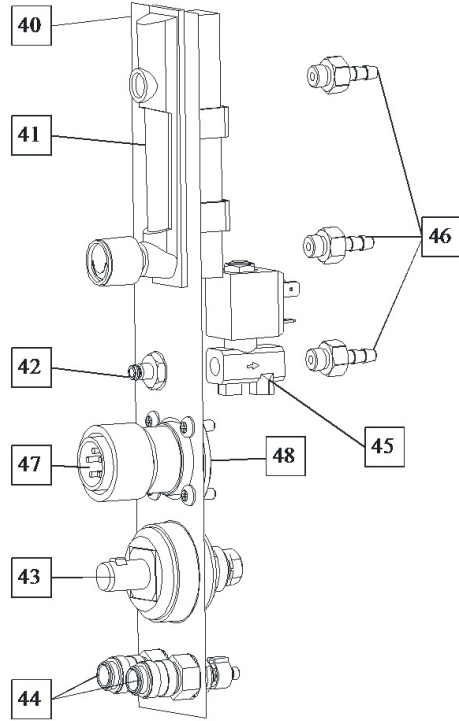


Figure D: Rear Panel

**Figure D: Rear Panel**

Item	Description	Part Number	QTY	1	2	3	4	5	6	7
40	DECAL BACK PANEL	R-0010-552-1R	1	X						
41	GAS FLOW REGULATOR	0943-719-003R	1	X						
42	QUICK CONNECT COUPLING	0744-000-149R	1	X						
43	WELDING SOCKET ABLY	D-2985-002-4R	1	X						
44	QUICK CONNECTOR FEMALE	0744-000-152R	2	X						
45	ELECTROVALVE	W8500004R	1	X						
46	HOSE CONNECTOR	R-2013-060-1R	3	X						
47	SOCKET X1	1158-641-148R	1	X						
48	RING	R-2013-032-5R	1	X						
49										

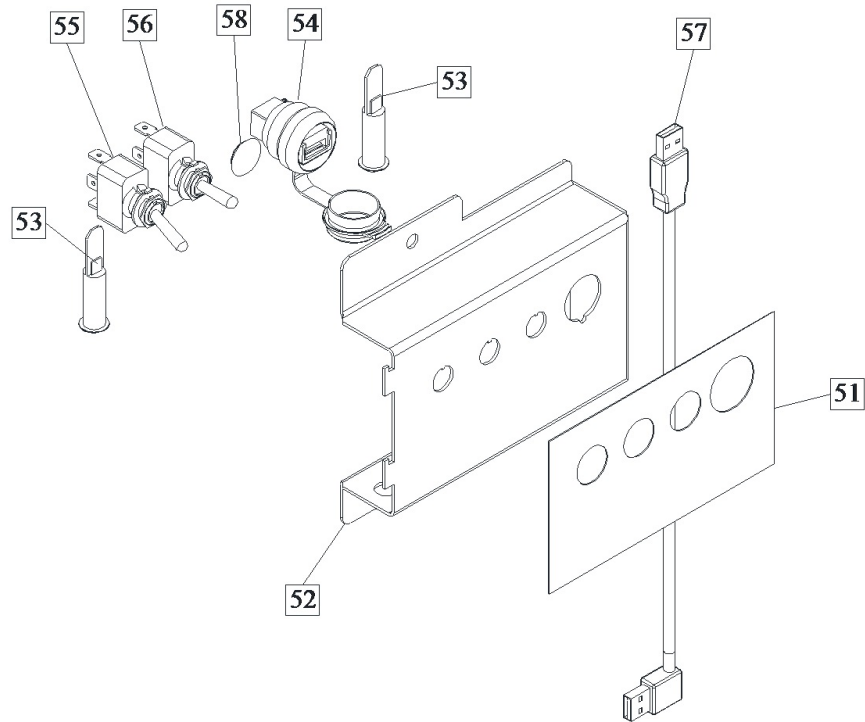


Figure E: Panel USB Dvider Assembly.

**Figure E: Panel USB Divider Assembly**

Item	Description	Part Number	QTY	1	2	3	4	5	6	7
51	DECAL USB	R-0010-585-1R	1	X						
52	BRACKET	R-1019-456-1/08R	1	X						
53	WHITE DIODE	0917-421-049R	2	X						
54	USB SOCKET X8	1158-641-061R	1	X						
55	SWITCH S2	1115-280-004R	1	X						
56	SWITCH S1	1115-280-005R	1	X						
57	USB CABLE	R-0010-495-1R	1	X						
58	HOLE PLUG	1119-510-005R	1	X						

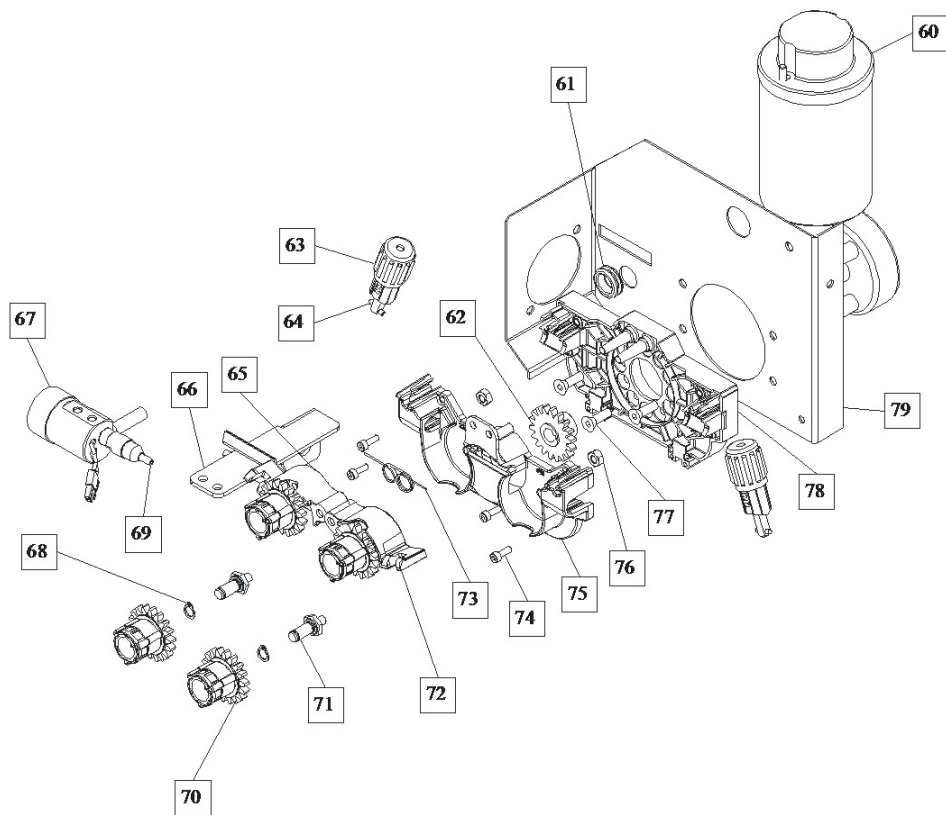


Figure F: Wire Drive Assembly

**F: Wire Drive Assembly**

Item	Description	Part Number	QTY	1	2	3	4	5	6	7
	WIRE DRIVE ASSEMBLY	R-8040-369-1R	1	X						
60	MOTOR	R-8040-024-4R	1	X						
61	RUBBER BUSH	1373-182-002R	1	X						
62	DRIVE GEAR	0744-000-320R	1	X						
63	PRESSURE ADJUSTMENT UNIT	0744-000-321R	2	X						
64	TRAPERED	0744-000-322R	2	X						
65	PRESSURE ARM ASSEMBLY ST4 LEFT	0744-000-323R	1	X						
66	CONDUCTOR RAIL	R-1010-075-1R	1	X						
67	EURO SOCKET ASSEMBLY	R-8040-368-1R	1	X						
68	CIRCLIP	0744-000-324R	2	X						
69	WIRE GUIDE Ø0.6-1.6	R-2013-161-1R	1	X						
	WIRE GUIDE Ø1.8-2.4	R-2013-167-1R	1	X						
70	QUICK-CHANGE CARRIER GEAR	0744-000-325R	2	X						
71	FEED ROLL SHAFT	0744-000-326R	2	X						
72	PRESSURE ARM ASSEMBLY ST4 RIGHT	0744-000-327R	1	X						
73	TORSION SPRING	0744-000-328R	1	X						
74	MACHINE SCREW	0744-000-329R	4	X						
75	FEED PLATE FRONT	0744-000-330R	1	X						
76	HEX-NUT M6	0744-000-331R	2	X						
77	MOTOR FIXATION SCREW	0744-000-332R	3	X						
78	FEED PLATE REAR ASSEMBLY	0744-000-333R	1	X						
79	DIVIDER	R-3019-375-1/08R	1	X						



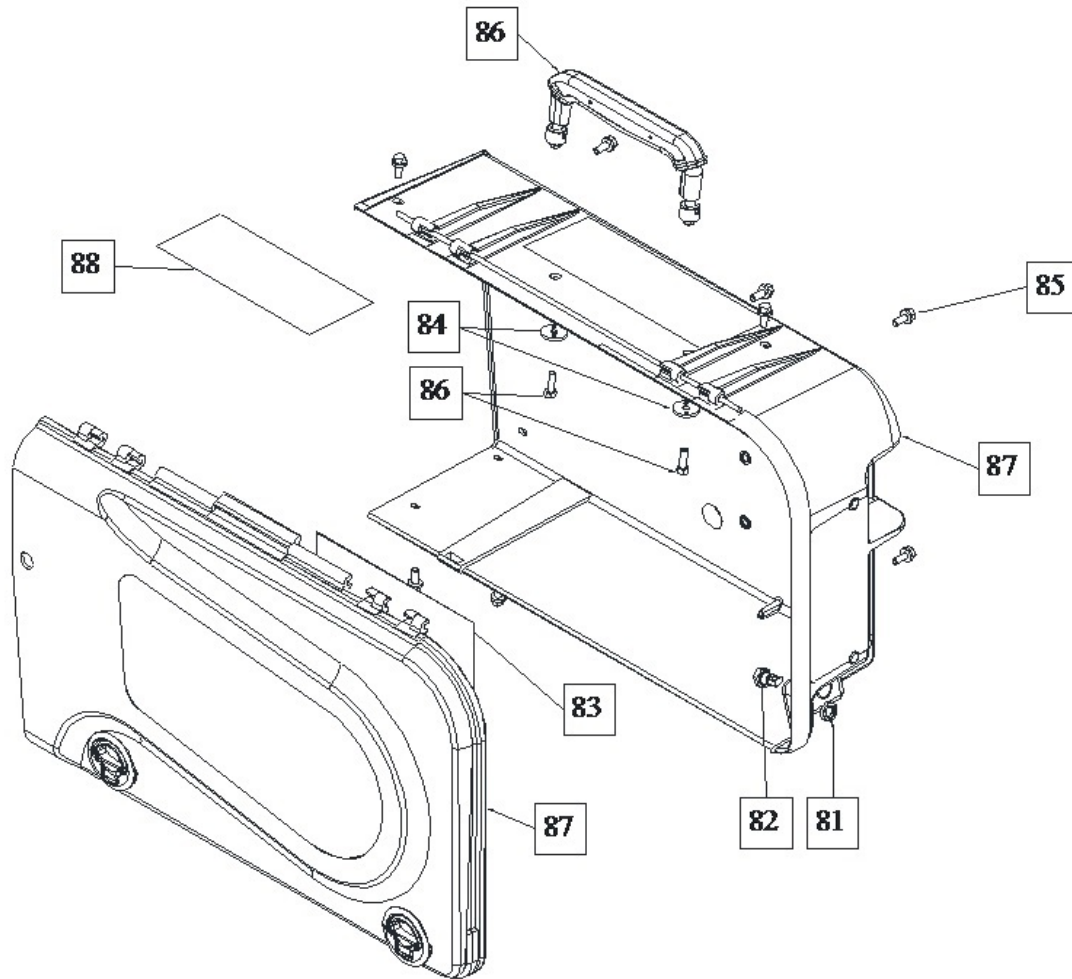


Figure G: Plastic Case

**Figure G: Plastic Case**

Item	Description	Part Number	QTY	1	2	3	4	5	6	7
81	BRASS NUT	R-2013-057-2R	1	X						
82	BRASS SCREW	R-2013-149-1R	1	X						
83	PROGRAM STICKER	R-0010-504-1R	1	X						
84	WASHER	R-1019-435-1R	2	X						
85	PLASTIC SCREW	0653-133-055R	8	X						
86	HANDLE WITH SCREWS	9SS18170-1	1	X						
87	PLASTIC COVER	9SG5661-3	1	X						
88	STICKER	2719-107-728R	1	X						

**Miscellaneous Items (not shown in figure A, B, C, D, E, F,G)**

Item	Description	Part Number	QTY	1	2	3	4	5	6	7
	HARNESS PANEL USB PF26	R-5041-409-1R	1	X						
	HARNESS PF26	R-5041-280-3R	1	X						
	POWER CABLE	R-5041-406-1R	1	X						

# Electrical Schematic

