

# SPRINTER<sup>®</sup> 160S / 180S

---

Spare Parts.....	1
Figure A: Machine Assembly .....	2
Figure B: Inside Machine Assembly.....	3
Figure C: Front Assembly.....	4
Electrical Schematic.....	5
CODE: 50716, 50717, 50718, 50719.....	5



# Spare Parts

SP50716, SP50717 SP50718, SP50719 REV00  
11/2024

ASSEMBLY PAGE NAME			Machine Assembly	Machine Assembly	Machine Assembly	Miscellaneous Items		
CODE NO.:	K NO.:	FIGURE NO.:	A	B	C	-		
50716	K14436-1	SPRINTER® 160S CE	1	1	1	1		
50717	K14436-1-P	SPRINTER® 160S CE PACK	2	2	2	2		
50718	K14437-1	SPRINTER® 180S CE	3	3	3	3		
50719	K14437-1-P	SPRINTER® 180S CE PACK	4	4	4	4		

\*Items highlighted in bold are recommended spare parts.

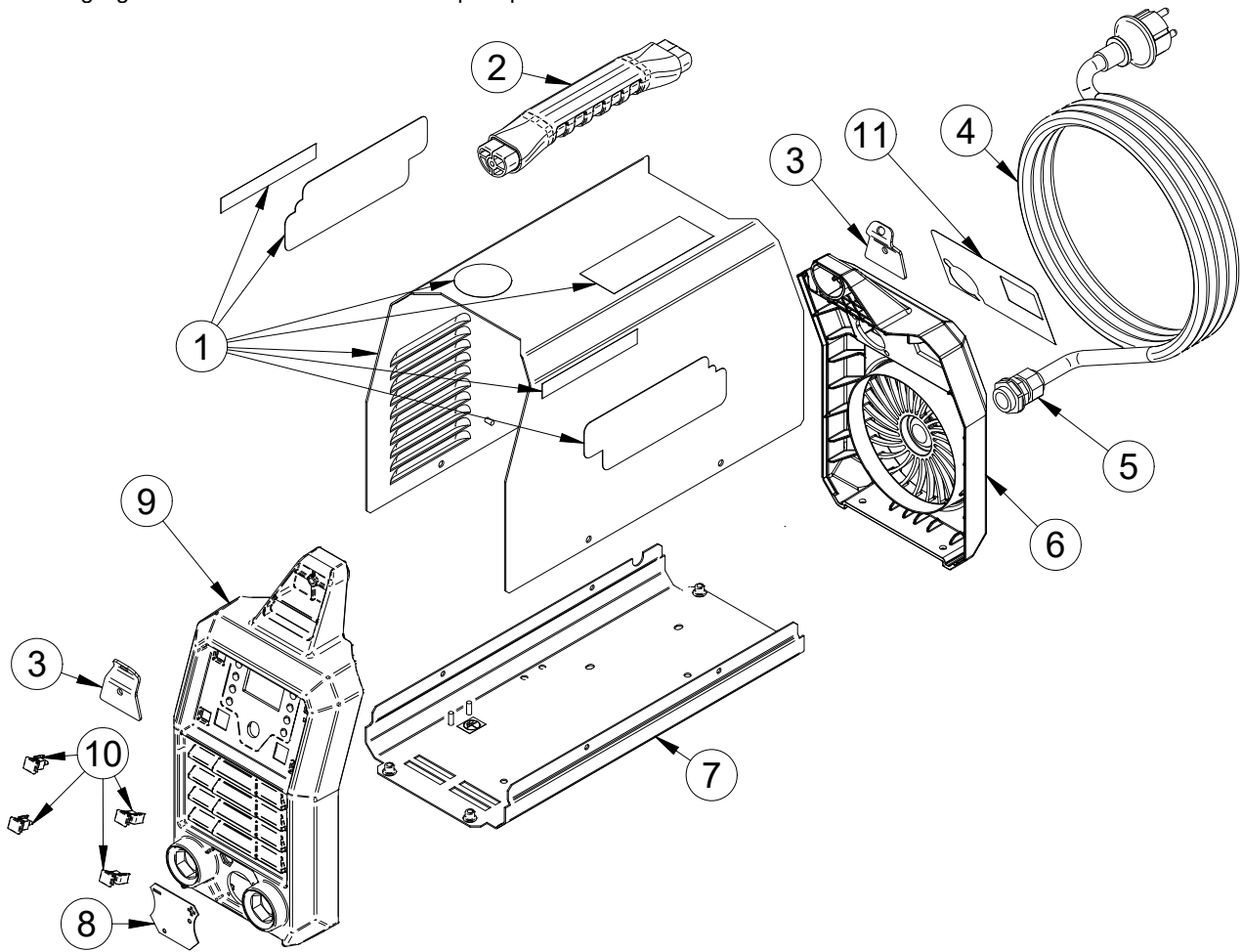


Figure A

**Figure A: Machine Assembly**

Item	Description	Part Number	QTY	1	2	3	4	5	6	7
1	COVER KIT:	T-8040-247-1R	1	X	X	X	X			
	SPRINTER SIDE LABEL		2	X	X	X	X			
	LINCOLN ELECTRIC LABEL		2	X	X	X	X			
	WARNING LABEL		1	X	X	X	X			
	LABEL 3 YEAR WARRANTY		1	X	X	X	X			
	COVER ASSEMBLY		1	X	X	X	X			
2	OVERMOLDED HANDLE ASBLY	9SM29732	1	X	X	X	X			
3	HANDLE	R-1019-780-1R	2	X	X	X	X			
4	POWER CABLE WITH PLUG	R-0000-455-1R	1	X	X	X	X			
5	STUFFING BOX	1131-154-003R	1	X	X	X	X			
6	REAR CASE	R-0000-457-1R	1	X	X	X	X			
7	BASE ASSEMBLY	R-3019-808-1R	1	X	X	X	X			
8	PLATE	R-1019-774-1R	1	X	X	X	X			
9	FRONT CASE	R-0000-456-1R	1	X	X	X	X			
10	PCB STANDOFF	1119-510-152R	4	X	X	X	X			
11	REAR LABEL SPRINTER	R-0000-450-1R	1	X	X	X	X			

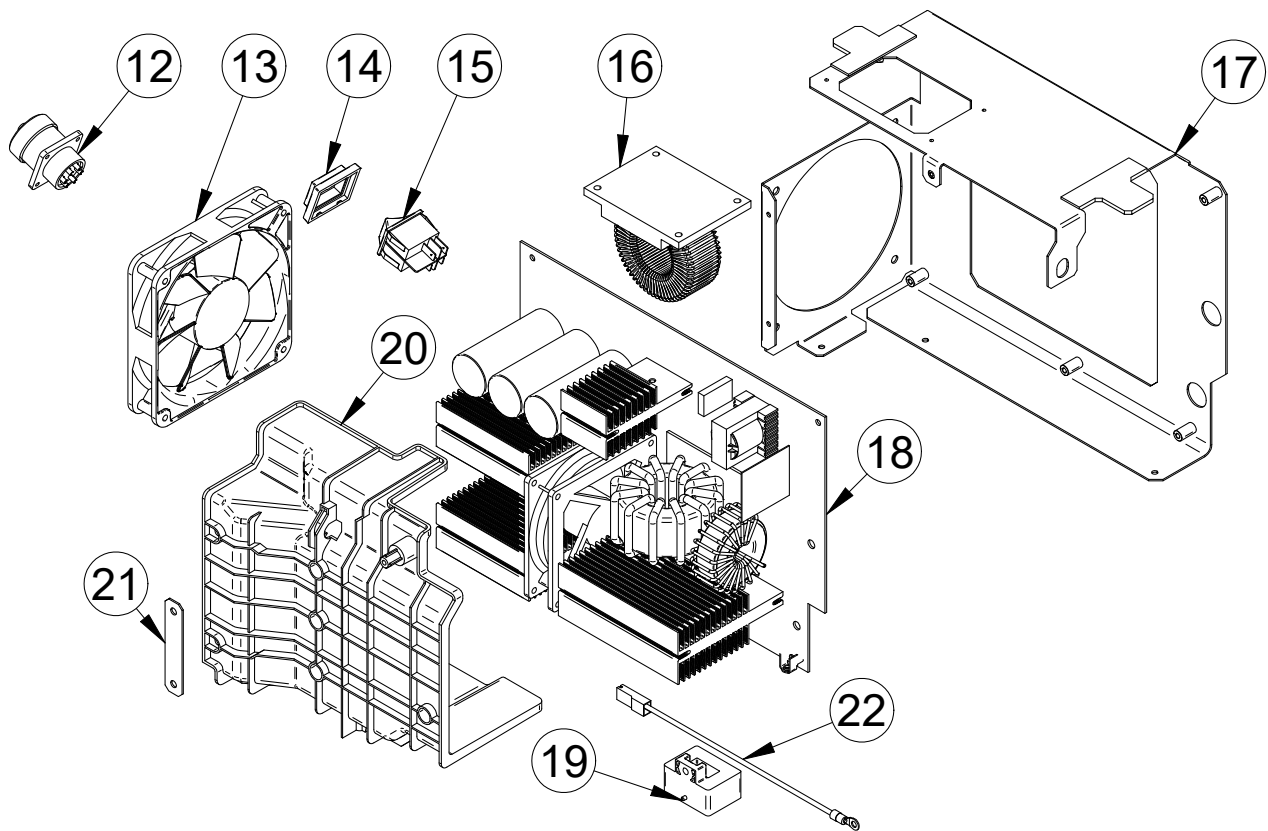


Figure B

Figure B: Inside Machine Assembly

Item	Description	Part Number	QTY	1	2	3	4	5	6	7
12	6-PIN CONNECTOR	S35730-1-2	1	X	X	X	X			
13	<b>FAN</b>	<b>S35730-1-9</b>	<b>1</b>	<b>X</b>	<b>X</b>	<b>X</b>	<b>X</b>			
14	WATERPROOF CAP	1115-299-225R	1	X	X	X	X			
15	INTERRUTTORE BIPO.16A LUMI. VE	035038041R	1	X	X	X	X			
16	PFC INDUCTOR	S35730-1-7	1	X	X	X	X			
17	CENTER PANEL	S35730-1-6	1	X	X	X	X			
18	<b>INVERTER BOARD</b>	<b>S35730-1-4</b>	<b>1</b>	<b>X</b>	<b>X</b>	<b>X</b>	<b>X</b>			
19	LEM SENSOR	S35730-1-3	1	X	X	X	X			
20	PLASTIC AIR CHANNEL	S35730-1-5	1	X	X	X	X			
21	CENTER PANEL	S35730-1-6	1	X	X	X	X			
22	CABLE	R-5041-465-1R	1	X	X	X	X			

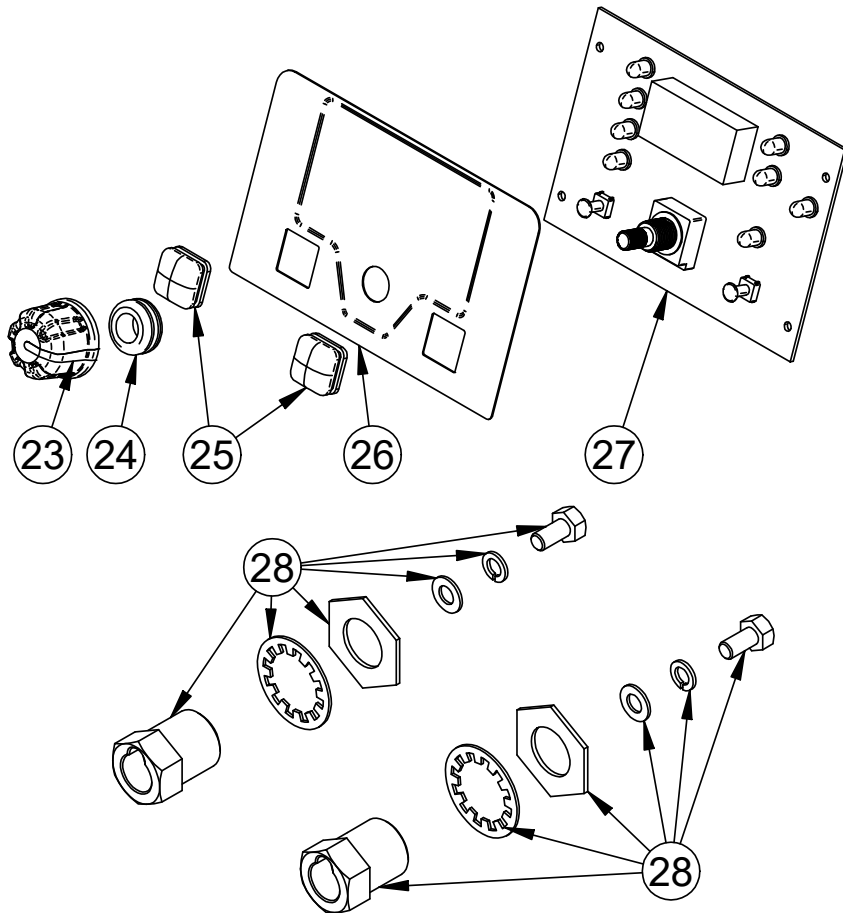


Figure C

**Figure C: Front Assembly**

Item	Description	Part Number	QTY	1	2	3	4	5	6	7
23	KNOB 1.0"	9SM22778-1	1	X	X	X	X			
24	PVC GROMMET	1373-111-337R	1	X	X	X	X			
25	BUTTON COVER	9SS23055-1	2	X	X	X	X			
26	FRONT LABEL	R-0000-447-1R	1	X	X					
26	FRONT LABEL	R-0000-447-2R	1			X	X			
<b>27</b>	<b>DISPLAY PCB</b>	<b>S35732-1-10</b>	<b>1</b>	<b>X</b>	<b>X</b>	<b>X</b>	<b>X</b>			
28	SOCKET ASSEMBLY	T-8040-248-1R	2	X	X	X	X			

# Electrical Schematic

CODE: 50716, 50717, 50718, 50719

