

# BesterMig 215-S

---

Spare Parts.....	1
Figure A: Machine Assembly .....	2
Miscellaneous Items (not shown in figure A).....	2
Electrical Schematic .....	3
CODE : 50694.....	3



# Spare Parts

SP50694 REV00  
03/2024

ASSEMBLY PAGE NAME			Machine Assembly					
<b>CODE NO.:</b>	<b>W NO.:</b>	<b>FIGURE NO.:</b>	<b>A</b>					
50694	B18266-1	BesterMig 215-S	1					

\*items highlighted in bold are recommended spare parts

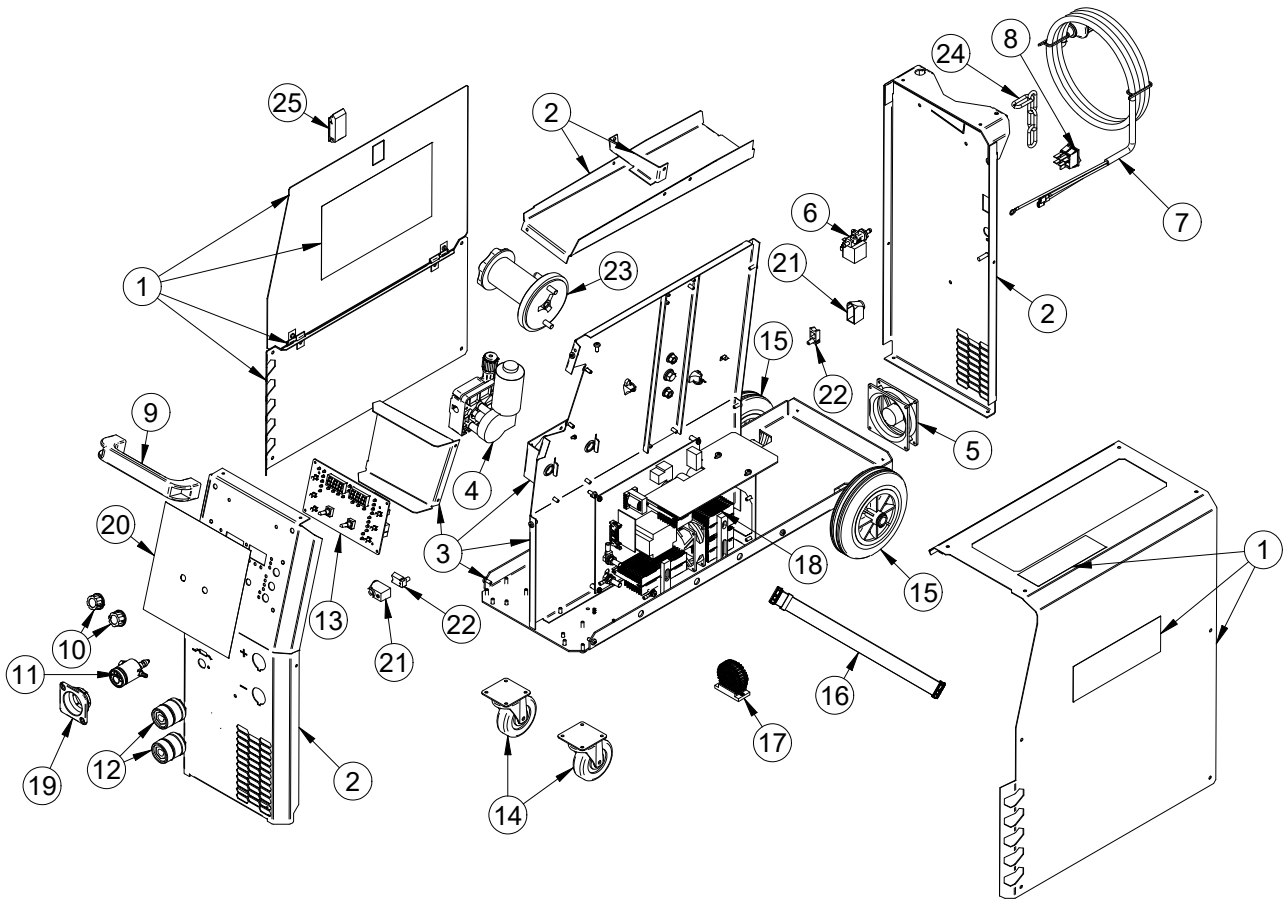


Figure A

**Figure A: Machine Assembly**

Item	Description	Part Number	QTY	1	2	3	4	5	6	7
1	SIDE PANEL KIT:	T-8040-219-1R	1	X						
	SIDE PANEL		1							
	BESTER BY LE LABEL		2							
	LABEL		1							
	HINGE (RIVETING REFERENCE SKETCH)		2							
	SIDE PANEL ASSEMBLY		1							
	COVER ASSEMBLY		1							
	STICKER D-2837-728-1		1							
2	FRONT AND REAR PANEL KIT:	T-8040-220-1R	1	X						
	FRONT PANEL ASSEMBLY		1							
	REAR PANEL ASSEMBLY		1							
	STICKER D-2837-694		1							
	LABEL		1							
3	BASE, PARTITION, SHELF KIT:	T-8040-221-1R	1	X						
	BASE ASSEMBLY		1							
	PARTITION ASSEMBLY		1							
	BRACKET		1							
	COVER		1							
	BRACKET		1							
	SHELF		1							
	BRACKET		1							
4	WIRE FEEDER	0744-000-269R	1	X						
5	<b>DC FAN</b>	<b>S35728-4R</b>	1	X						
6	SOLENOID VALVE	0972-423-040R	1	X						
7	POWER CABLE	S33551-11R	1	X						
8	SWITCH ON/OFF	S33551-6R	1	X						
9	HANDLE	1361-598-186R	1	X						
10	KNOB	S33551-9R	2	X						
11	TORCH CONNECTION	R-8040-473-1R	1	X						
12	WELDING SOCKET	2EINN0500FR	2	X						
13	<b>DISPLAY BOARD</b>	<b>S35728-1R</b>	1	X						
14	FRONT WHEEL	1029-660-004R	2	X						
15	REAR WHEEL	1029-660-007R	2	X						
16	RIBBON CABLE	S33551-3R	1	X						
17	OUTPUT CHOKE	S35728-3R	1	X						
18	<b>MAIN BOARD</b>	<b>S35728-2R</b>	1	X						
19	COVER EURO	0646-231-005R	1	X						
20	FRONT PANEL LABEL	R-0000-431-1R	1	X						
21	POWER CABLE GROMMET	1361-599-399R	2	X						
22	POWER CABLE CLAMP	1361-599-398R	2	X						
23	WIRE SPOOL HUB	0744-000-335R	1	X						
24	CHAIN L=700MM	0652-410-003R	1	X						
25	DOOR LATCH PT,LF	0654-610-004R	1	X						

**Miscellaneous Items (not shown in figure A)**

Item	Description	Part Number	QTY	1	2	3	4	5	6	7
26	HARNESSES KIT	T-8040-222-1R	1	X						

# Electrical Schematic

CODE : 50694

