

1922250
R02

Zeta G201

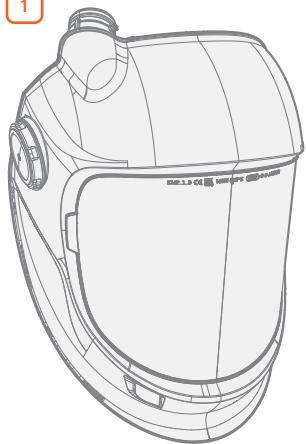
Zeta G201x



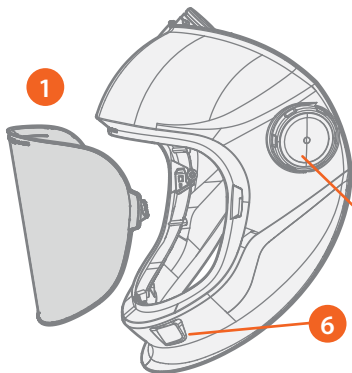
**Operating
manual**

Operating manual – Brugsanvisning – Gebrauchsanweisung – Manual de instrucciones – Käyttöohje – Manuel d'utilisation – Manuale d'uso – Gebruiksaanwijzing – Bruksanvisning – Instrukcja obsługi – Manual de utilização – Manual de utilizare – Инструкции по эксплуатации – Bruksanvisning – Kullanım ve bakım kılavuzu – 操作手册

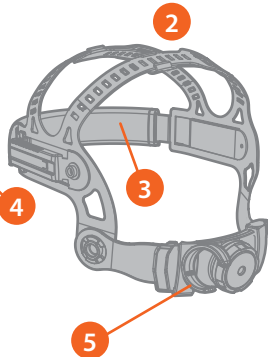
1



1



2



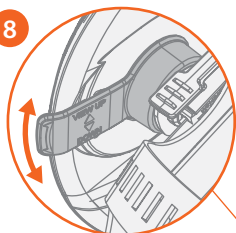
3

5

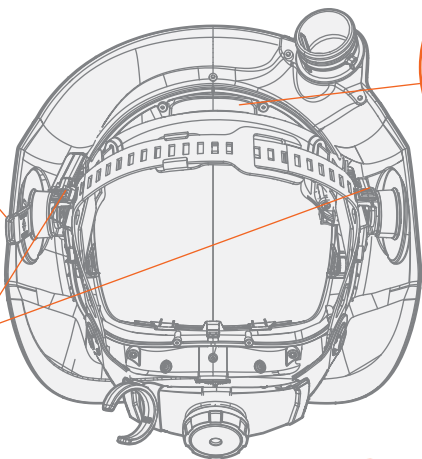
4

6

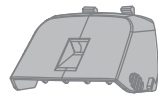
8



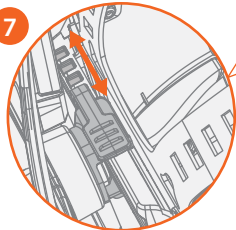
9



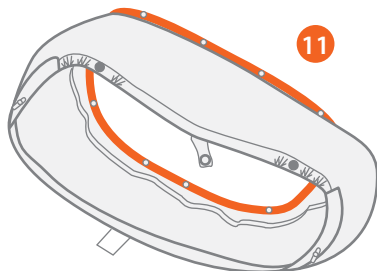
10



7



11



1. Introduction

1.1 Zeta G201 and G201x




Zeta G201 and G201x grinding helmets are designed for grinding, surface finishing and inspection. They are not designed to be used in welding applications or sandblasting.

Zeta G201 and G201x grinding helmets provide protection for the user's eyes and face. When used together with a compatible powered filter unit (PFU 210e) or supplied air unit (RSA 230), Zeta G201 and G201x models also protect the user's respiratory system providing the highest level of respiratory protection: TH3 classification with PFU 210e, and 3B classification with RSA 230.

The Zeta G201x model has also integrated LED work lights that can be used when connected to the PFU 210e powered filter unit.

1.2 About this manual

Read this manual carefully before using the equipment for the first time. Pay particular attention to the safety instructions.

	Note	Gives the user a piece of information of particular importance.
	Caution	Describes a situation that may result in damage to the equipment or system.
	Warning	Describes a potentially dangerous situation that may result in personal damage or fatal injury.

1.3 Disclaimer

While every effort has been made to ensure that the information contained in this guide is accurate and complete, no liability can be accepted for any errors or omissions. Kemppi reserves the right to change the specification of the product described at any time without prior notice. Do not copy, record, reproduce or transmit the contents of this guide without prior permission from Kemppi.

2. Safety



Warning:

- It is strictly forbidden to use any other than Kemppi branded parts or accessories with Kemppi's personal protection equipment. If you do not respect this safety regulation, serious damage for your health may occur.
- We recommend a usage period of 5 years. The period of use depends on various factors such as use, cleaning, storage and maintenance.
- Before each use, inspect fresh air helmet for damages and verify it operates properly. Replace damaged or worn parts.
- Use all adjustment features for maximum protection.
- Face seal needs to be in good condition, placed in front of users ears and both buckles tighten enough.
- Never use a scratched or damaged visor.

- Materials which may come into contact with the wearer's skin may cause allergic reactions to susceptible individuals.
- Only operate this product within the temperature range -5...+55 °C.
- The product is not intended for use in environments with a risk of explosion.
- The helmet does not protect against explosive devices or corrosive liquids.
- The helmet gives designed protection against high speed particles only at room temperature (EN ISO designation E) and only when all equipment components are properly attached, as described in the manual.
- When helmet is worn over any spectacles, they may transmit the impact of high speed particles, thus creating a hazard to the wearer.
- If the symbols of the markings are not the same for different parts of the protection equipment, the lower protection level shall be assigned to the complete protection equipment.
- Adequate protection cannot be provided by the RPD (respiratory protection device) in certain highly toxic atmospheres.
- At very high work rates, the pressure in the face piece can become negative at peak inhalation flow.

3. Parts 1

1. Grinding visor
2. Headband, adjustable
3. Sweatband, washable
4. Opening/closing tightness adjuster
5. Air hose holder
6. LED work lights (G201x model with PFU 210e only)
7. Distance slide adjusters
8. Viewing angle adjuster
9. Air duct for respiratory protection system
10. Air duct nozzle
11. Face seal

4. Using helmet features

4.1 Taking into use 2 4

1. Adjust the helmet for your head:
 - A. Use the top bands to adjust how deep the helmet sits (c).
 - B. Use the distance slide adjuster to change the distance of the helmet from your face (b). Ensure that the helmet is comfortably as close as possible to your face and that both sides are equally positioned.
 - C. Turn the knob in the rear to tighten and secure the headband (a).
2. Turn the viewing angle adjuster to tilt the viewing angle upwards or downwards. (d)
3. Adjust the helmet's opening/closing tightness if needed (e).

4. Connect the air hose to the helmet and to the respiratory protection device: **4**
 - A. Turn the air hose connector (1) to fully expose the openings (2).
 - B. Align the groove in the air hose connector with the tab in the air duct (3).
 - C. Push the connector into the air duct.
 - D. Turn the connector clockwise to snap-lock the air hose into its place.
 - E. Secure the air hose into the air hose holder to keep it out of the way.
5. Turn the respiratory protection device on. (Refer to your powered filter units' / air supply's documentation for more information.)
6. Tighten the face seal properly around your face using all the tighteners in the face seal.



Warning: If the face seal is not tight, the respiratory protection system may not offer the best possible protection.

The three face seal snap fasteners must also always be fastened to maintain TH3/3B classification. **6**

4.2 Using work lights (G201x) **6**

Zeta G201x grinding helmet has LED work lights that are powered by the powered filter unit PFU 210e battery. The battery is connected when the air hose is connected to the grinding helmet.



Note: The LED work lights are not available for use with RSA 230.

1. For charging and checking the battery, refer to the powered filter unit's documentation.
2. Use the OFF/AUTO/ON selector to turn the lights on and off. The AUTO mode turns the lights off in bright conditions and then back on.



Caution: Never use a damaged battery unit. Avoid exposure to extreme temperatures, direct sunlight, moisture, sand and dust.

Observe the battery unit while charging. If the battery unit becomes hot, smokes or there are visible deformations in the battery unit during charging, stop charging immediately.

5. Replacing parts

5.1 Removing headband **5**

1. Press and hold down the distance slide adjuster.
2. Push the headband connector forwards, out of the distance slide adjuster.

5.2 Attaching headband **5**

1. Bring the headband connector in front of the distance slide adjuster.
2. Press down the slide adjuster button while pushing the headband connector through the distance slide adjuster.

3. Slide the headband connector in place so that the slide adjuster pin locks into one of the grooves in the headband connector.
4. Adjust the helmet distance from your face.

5.3 Replacing grinding visor **3**

1. To remove the grinding visor: Release the helmet fasteners by pulling the locking clips inwards and pull out the grinding visor (a).
2. To install the grinding visor: Place the visor clips into the helmet fasteners (b) and lock the helmet fasteners by pressing them upwards (c). Ensure that also the lower fasteners snap into place properly (d).

5.4 Replacing face seal **5** **6**

1. Release the three snap fasteners keeping the face seal attached to the headband (pic. 6).
2. Remove the headband.
3. Remove the eight small screws holding the face seal frame.
4. Take the face seal out. Note that the distance slide adjusters go through the openings in the face seal.
5. To install the face seal, pass the distance slide adjusters through the openings in the face seal.
6. Secure the face seal in place with the eight small screws.
7. Attach the headband back in place.
8. Fix the face seal to the headband with the three snap fasteners (pic. 6).

6. Maintenance

Inspect the helmet after each use. Replace worn or damaged parts.

6.1 Cleaning **7**

- Clean the grinding visor with mild soap, lukewarm water and a soft cloth.
- Remove the air duct nozzle by pressing the nozzle on both edges. Wipe the nozzle and the section behind it clean with a soft cloth and mild detergent or suitable disinfecting helmet spray. Dry well before reassembling.
- Detach and wash the sweatband, if necessary.



Note: The fire retardant on the face seal gradually wears out in wash. Wash the face seal max. 5 times.

7. Storage

Store the Zeta helmet in an environment with temperature between -20...+50 °C and humidity < 80 % Rh.

Store and transport the helmet and the accessories in the original bag or package.

8. Technical data

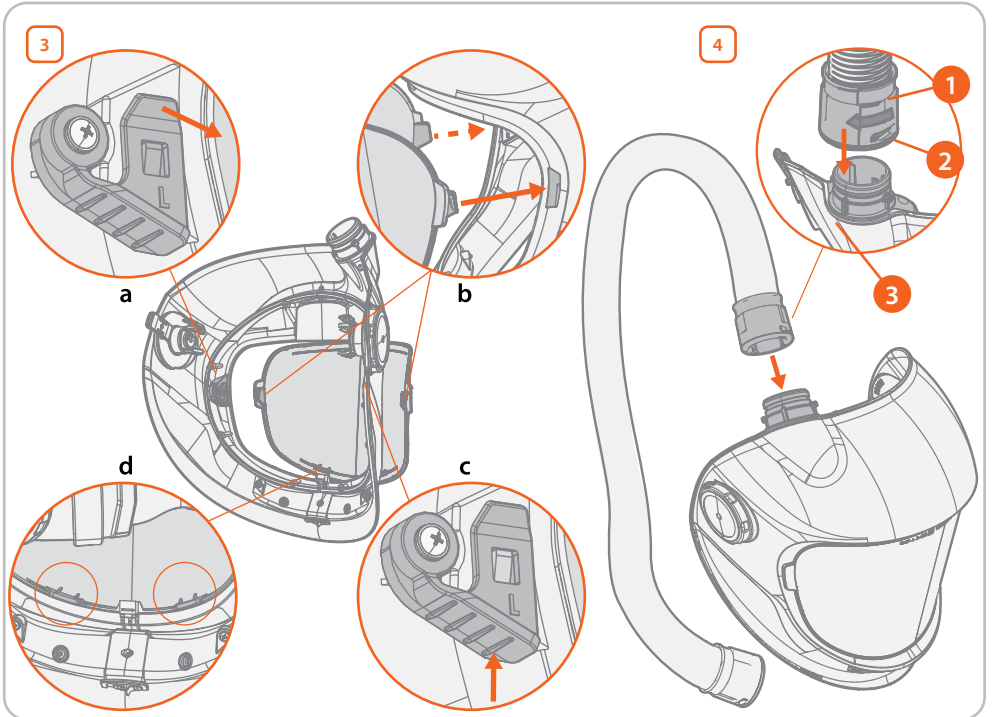
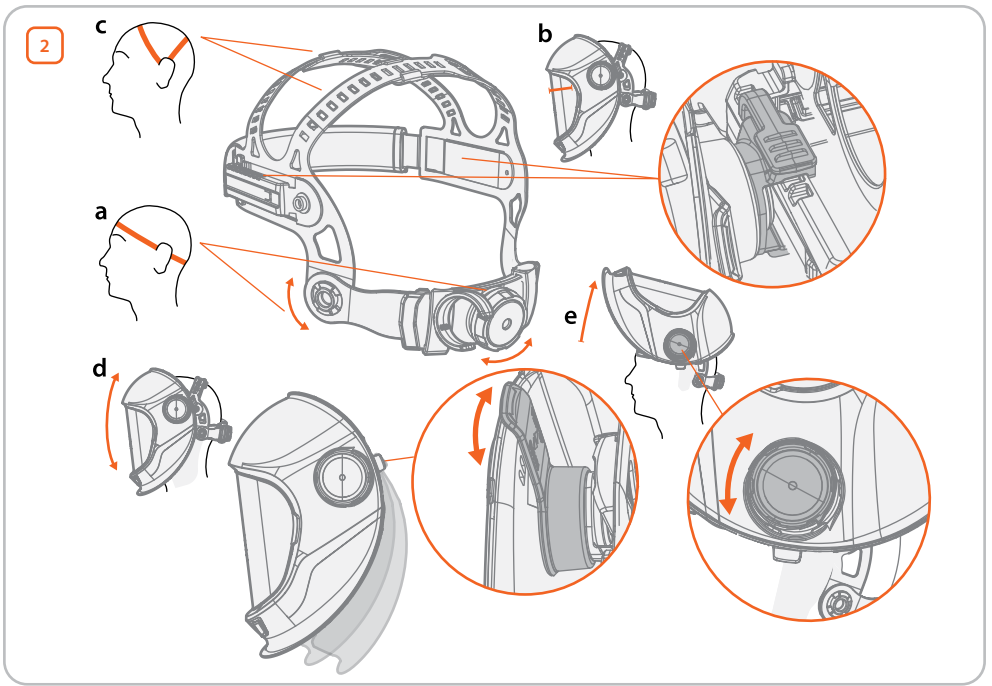
Grinding helmet	Zeta G201 / G201x
Compliant with standards:	Regulation (EU) 2016/425 EN 12941:1998+A1:2004+A2:2008 EN 14594:2018 3B FprEN 12941:2021 EN ISO 16321-1:2022 AS/NZS 1337.1:2010 B AS/NZS 1716:2012 - LIC 40175
Type inspected and certified by:	CE: ECS GmbH, Hüttfeldstraße 50, 73430 Aalen, Germany. Notified Body No. 1883. (Module B) CE: CCQS Certification Services Limited, Notified body No. 2834, Block 1 Blanchardstown Corporate Park, Ballycoolin Road, Blanchardstown, Dublin 15 D15 AKK1 Dublin, Ireland (Module D). CE: FORCE Certification A/S, Park Alle 345, 2605 Brøndby, Denmark. Notified Body No. 0200. (Module B) UKCA: CCQS UK Ltd, 25 Wilton Rd, Pimlico, London SW1V 1LW, UK. Approved Body No. 1105. (Module B & D) SAI Global Certification Services Pty Limited. Level 7, 45 Clarence Street, Sydney NSW 2000, Australia.
Manufacturer:	Kemppi Oy PL 13, Kempinkatu 1, 15801 Lahti, Finland
Operating temperature:	-5°...+55 °C
Recommended humidity for use:	< 80 % Rh
Storage temperature:	-20...+50 °C
Materials:	Plastics: PA, PP, PC, ABS, POM Sweatband material 100 % cotton, padding foam plastic
Weight:	Zeta G201: 345 g, Zeta G201x: 485 g

9. Helmet and ocular markings

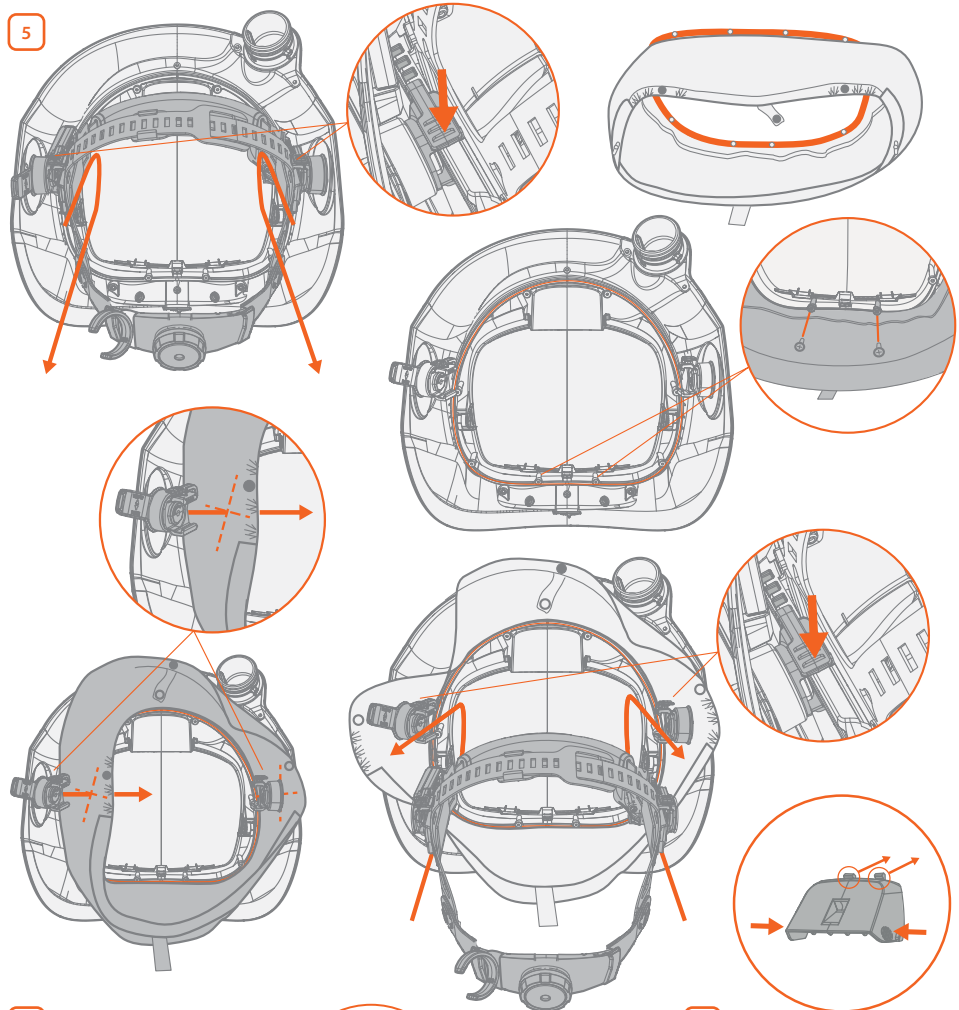
16321 KMP E HM 1-M CE	
16321	Standard document number
KMP	Identification of the manufacturer
E	Impact level
HM	High mass impact level
1-M	Average medium head size
CE	CE marking (European Conformity)

10. Ordering codes

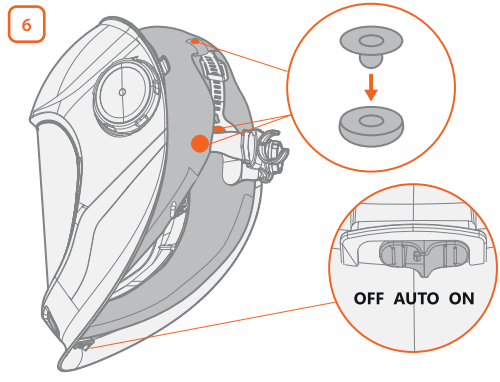
Part	Ordering code
Face seal Zeta G	SP025431
Headband	SP009023
Sweatband 2 pcs	SP9873018
Comfort band padding 5 pcs	SP013231
Grinding visor, clear 5 pcs	SP022580
Tear-off film, 10 pcs	SP024085



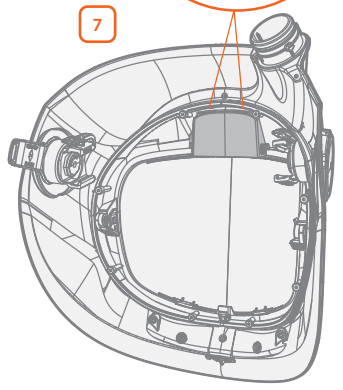
5



6



7





2834



1105



AS/NZS 1716
Lic. 40175



Declaration of Conformity – Overensstemmelseserklæring – Konformitätserklärung
– Declaración de conformidad – Vaatimustenmukaisuusvakuutus – Déclaration
de conformité – Dichiarazione di conformità – Verklaring van overeenstemming –
Samsvarserklæring – Deklaracja zgodności – Declaração de conformidade – Declarație
de conformitate – Заявления о соответствии – Försäkran om överensstämmelse –
Uygunluk Beyanı – 符合性声明



userdoc.kemppi.com

