

1922050
R01

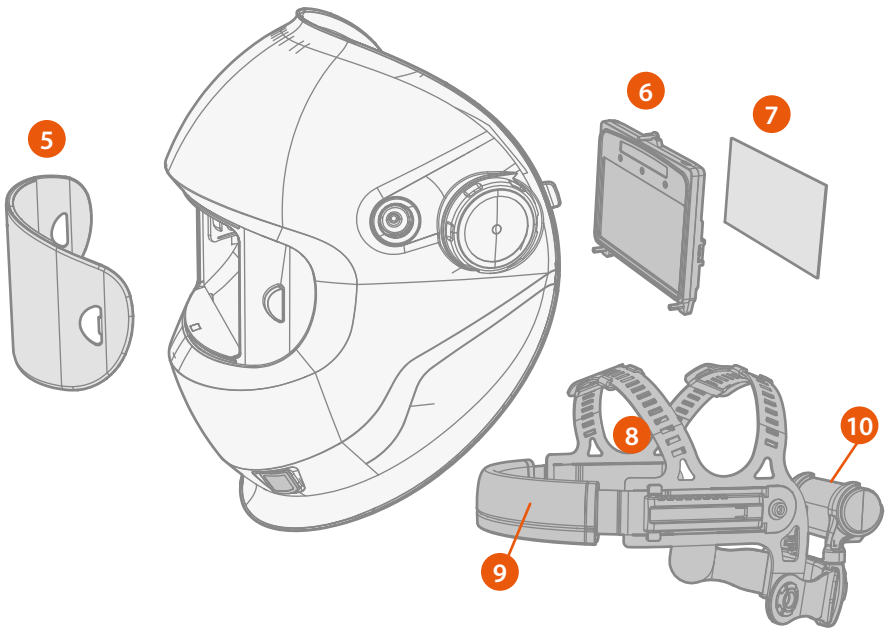
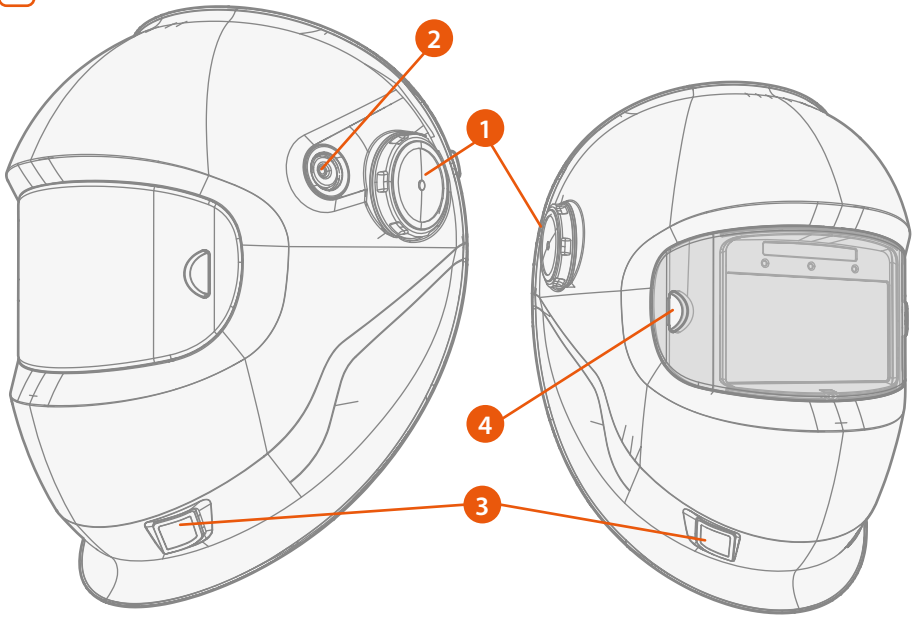
Zeta W200

Zeta W200x

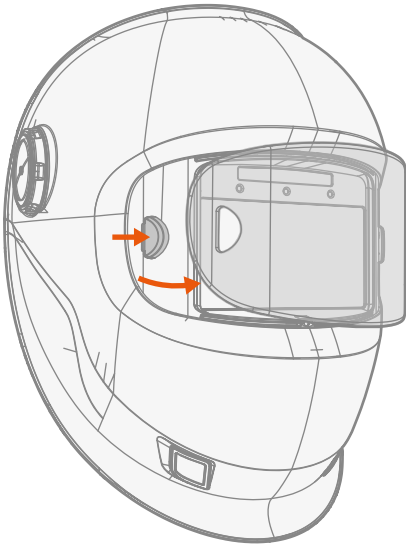
**Operating
manual**

Operating manual – Brugsanvisning – Gebrauchsanweisung – Manual de instrucciones – Käyttöohje – Manuel d'utilisation – Manuale d'uso – Gebruiksaanwijzing – Bruksanvisning – Instrukcja obsługi – Manual de utilização – Инструкции по эксплуатации – Bruksanvisning – 操作手册

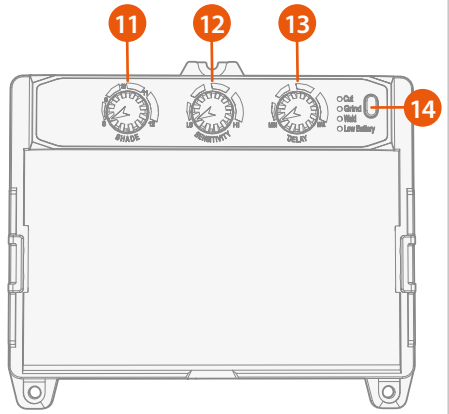
1



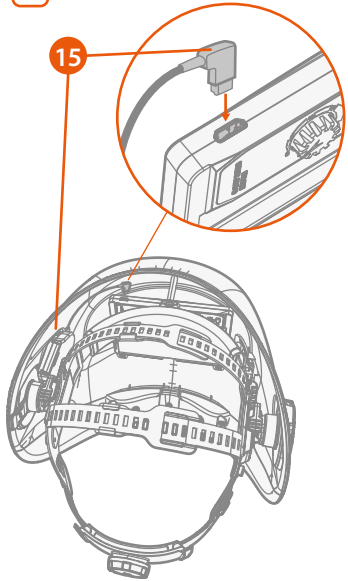
2



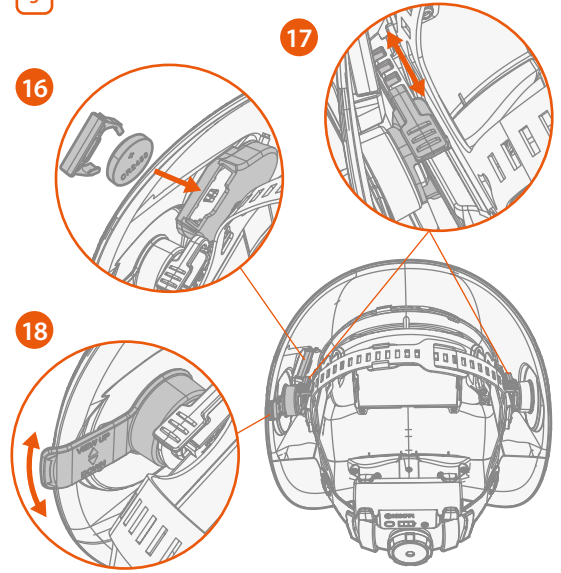
3



4



5



1. Introduction




1.1 Zeta W200 and W200x

Zeta W200 and W200x welding helmets are designed for arc welding (MMA, MIG/MAG, TIG), grinding, gouging and plasma cutting.

Zeta W200 and W200x welding helmets provide the users with protection for the eyes and face. The helmets are equipped with auto-darkening filter ADF SA 60Z, and the Zeta W200x model has also integrated LED work lights.

1.2 About this manual

Read this manual carefully before using the equipment for the first time. Pay particular attention to the safety instructions.

	Note	Gives the user a piece of information of particular importance.
	Caution	Describes a situation that may result in damage to the equipment or system.
	Warning	Describes a potentially dangerous situation that may result in personal damage or fatal injury.

1.3 Disclaimer

While every effort has been made to ensure that the information contained in this guide is accurate and complete, no liability can be accepted for any errors or omissions. Kemppi reserves the right to change the specification of the product described at any time without prior notice. Do not copy, record, reproduce or transmit the contents of this guide without prior permission from Kemppi.

2. Safety

Warning:

- It is strictly forbidden to use any other than Kemppi branded parts or accessories with Kemppi's personal protection equipment. If you do not respect this safety regulation, serious damage for your health may occur.
- We recommend a usage period of 5 years. The period of use depends on various factors such as use, cleaning, storage and maintenance. Inspect the helmet before each use. Replace damaged or worn parts.
- Use all adjustment features for maximum protection.
- Never weld with the welding visor up or without the welding filter.
- If the auto-darkening filter (ADF) does not darken when the arc ignites, stop welding immediately. Inspect the ADF and its power supply. Change if necessary.

- Always use welding filters together with suitable protection plates.
- Never use welding filter without inner protection plates.
- Never use a scratched or damaged welding filter and ocular.
- Materials which may come into contact with the wearer's skin may cause allergic reactions to susceptible individuals.
- Only operate this product within the temperature range -5...+55 °C.
- The product is not intended for use in environments with a risk of explosion.
- The helmet does not protect against explosive devices or corrosive liquids.
- The helmet is not suitable for laser welding and oxyacetylene welding/cutting processes.
- The helmet gives designed protection against high speed particles only at room temperature (EN175 designation B) and only when all helmet components are properly attached, as described in the manual.
- When helmet is worn over any spectacles, they may transmit the impact of high speed particles, thus creating a hazard to the wearer.
- If the symbols of the marking are not common to different parts of the protection equipment, the lower protection level shall be assigned to the complete protection equipment.

3. Parts

- Opening/closing tightness adjuster
- Grinding mode (clear view) button
- LED work lights (W200x model only)
- Protection plate release button
- Protection plate
- Auto-darkening welding filter (ADF SA 60Z)
- Inner protection plate
- Headband, adjustable
- Sweatband, washable
- LED work light Li-ion battery unit (W200x model only)
- ADF: Shade adjustment
- ADF: Sensitivity adjustment
- ADF: Delay adjustment
- ADF: Operation mode selector (Cut/Grind/Weld)
- ADF: Battery connection
- ADF battery and battery holder
- Distance slide adjusters (connect the headband to the helmet and adjust the distance of the helmet from the face)
- Viewing angle adjuster.

4. Using helmet features

4.1 Taking into use 6

1. Adjust the helmet for your head:
 - A. Use the top bands to adjust how deep the helmet sits (a).
 - B. Use the distance slide adjuster to change the distance of the helmet from your face (b). Ensure that the helmet is comfortably as close as possible to your face and that both sides are equally positioned.
 - C. Turn the knob in the rear to tighten and secure the headband (c).
2. Adjust the helmet's opening/closing tightness if needed (d).
3. Turn the viewing angle adjuster to tilt the viewing angle upwards or downwards (e).

4.2 Using work lights (W200x) 7

Zeta W200x helmet has LED work lights that are powered by a rechargeable Li-ion battery unit on the neckband.

1. Press the battery test button on the battery unit to check the battery level.
2. For charging, remove the battery unit from the helmet and charge the battery using the unit's USB-C connection and charging cable (charger not delivered with the product).
3. Insert the battery unit into the battery holder in the headband and connect the LED work light cable to it.
4. Use the OFF/AUTO/ON selector to turn the lights on and off. The AUTO mode turns the lights off in bright conditions (e.g. during welding) and then back on.



Caution: Never use a damaged battery unit.

The LED light battery unit is not waterproof. Avoid exposure to extreme temperatures, direct sunlight, moisture, sand and dust.

Observe the battery unit while charging. If the battery unit becomes hot, smokes or there are visible deformations in the battery unit during charging, stop charging immediately.

4.3 Using quick grinding view 8

The Zeta W200/W200x helmet's auto-darkening welding filter (ADF SA 60Z) can be switched to the grinding mode also by long-pressing the weld/grind mode button on the side of the helmet.

To return to welding mode, only short press is needed.

5. Replacing parts

5.1 Removing headband 5

1. Press and hold down the distance slide adjuster (17).
2. Push the headband connector forwards, out of the distance slide adjuster.

5.2 Attaching headband 5

1. Bring the headband connector in front of the distance slide adjuster (17).
2. Press down the slide adjuster button while pushing the headband connector through the distance slide adjuster.
3. Slide the headband connector in place so that the slide adjuster pin locks into one of the grooves in the headband connector.
4. Adjust the helmet distance from your face.

5.3 Replacing outer protection plate 2

1. To remove the outer protection plate, press the fastener release button on the right and pull the protection plate out.
2. To install the outer protection plate, place it on the left fastener first and then snap the right side in place.



Note: Make sure both sides are properly aligned and in place.

5.4 Replacing inner protection plate 9

1. To remove the ADF inner protection plate, pull the bottom of the plate out slightly and slide the plate out from below.
2. To install the inner protection plate, slide the plate up into the grooves in the ADF. Make sure the plate snaps into place properly.

6. Maintenance

Inspect the helmet after each use. Replace worn or damaged parts.

6.1 Cleaning

- Clean the protection plate with mild soap, lukewarm water and a soft cloth.
- Wipe the welding filter lens with a soft, clean cloth, if necessary.
- Detach and wash the sweatband, if necessary.

7. Storage

Store the Zeta helmet in an environment with temperature between -20...+50 °C and humidity < 80 % Rh.

Store and transport the helmet and the accessories in the original bag or package.

8. Technical data

Welding helmet	Zeta W200/W200x
Compliant with standards:	Regulation 2016/425 EN 175:1997-08, Personal protection. Equipment for eye and face protection during welding and allied processes EN 166:2002-04, Personal eye protection, specifications AS/NZS 1337.1:2010 AS/NZS 1338.1:2012
Type inspected by:	ECS European Certification Service GmbH. Hüttfeldstraße 50, 73430 Aalen, Germany. Notified Body No. 1883. SAI Global Certification Services Pty Limited. 680 George Street, Sydney NSW 2000, GPO Box 5420 Sydney NSW 2001, Australia. CCQS UK Ltd, 25 Wilton Rd, Pimlico, London SW1V 1LW, UK. Approved Body No. 1105.
Manufacturer:	Kemppi Oy PL 13, Kempinkatu 1, 15801 Lahti, Finland
Operating temperature:	-5...+55 °C
Recommended humidity for use:	< 80 % Rh
Storage temperature:	-20...+50 °C
Materials:	Plastics: PA, PP, PC, ABS, POM Sweatband material 100 % cotton, padding foam plastic
Weight:	Zeta W200: 517 g, Zeta W200x: 658 g

LED work light	Zeta W200x only
Battery cell type:	Li-ion 3.65 V, 4 Ah, 14.6 Wh, rechargeable
Charging connector type:	USB-C
Battery life:	8 hours
Battery charging temperature:	0...+45 °C

Welding filter	ADF SA 60Z
Welding filter type:	Auto-darkening, factory-installed
Operating temperature range:	- 5 ... + 55 °C <80% Rh
Storage temperature range:	- 20 ... + 50 °C <80% Rh
Manufacturer:	Kemppi Oy PL 13, Kempinkatu 1, 15801 Lahti, Finland
ADF switching time:	0.1 ms
ADF light state:	Shade 2.5
ADF UV/IR protection:	Protection at all times
Battery, replaceable:	1 x CR2450
Materials:	Plastics: PA, PC; Glass

9. Helmet and ocular markings

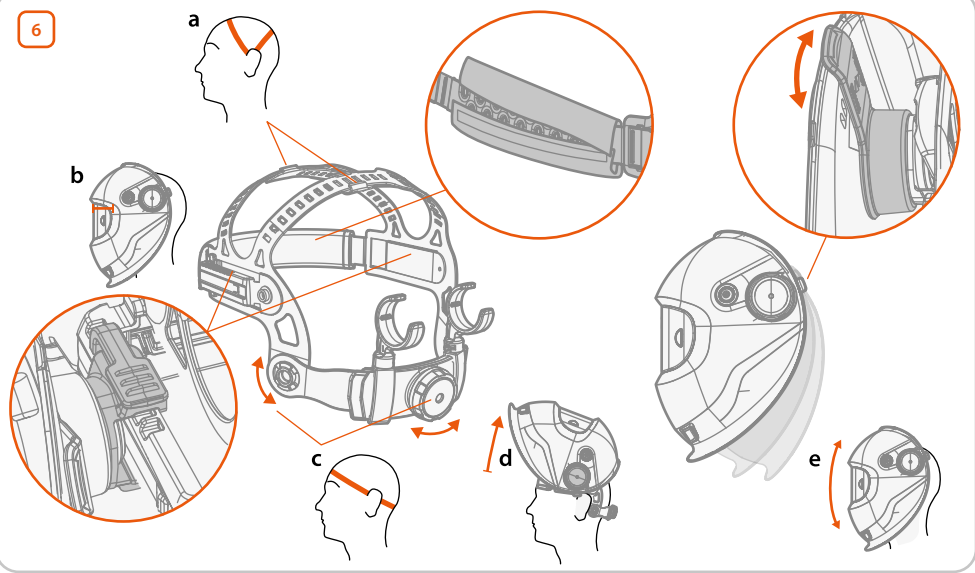
Eg. 2.5/8-12 KMP 1/1/1/1/379

2.5	Light state scale number
8	Lightest dark state scale number
12	Darkest state scale number
KMP	Identification of the manufacturer
1	Optical class
B	Symbol for mechanical strength
CE	CE marking (European Conformity)
UKCA	UKCA marking (UK Conformity)
EN 175	Standard reference
EN 166	Standard reference

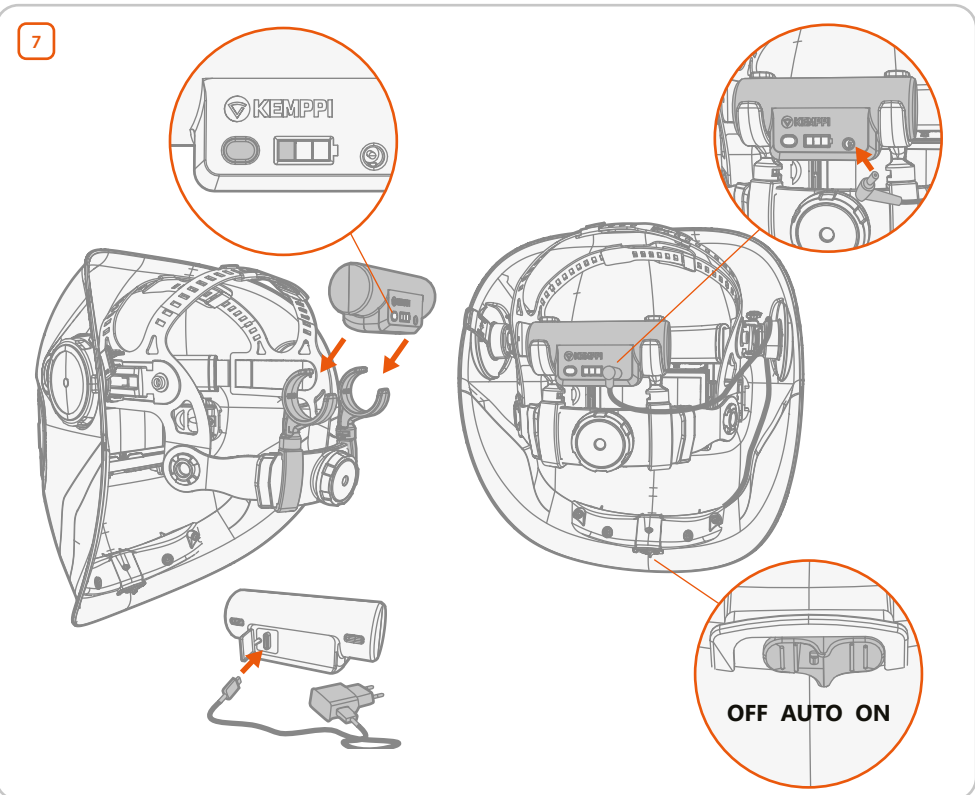
10. Ordering codes

Part	Ordering code
Headband	SP009023
Sweatband 2 pcs	SP9873018
Comfort band padding 5 pcs	SP013231
Protection plate 5pcs	SP022579
Inner protection plate 5 pcs	SP023221
200x LED light battery unit	SP022617
ADF SA 60Z auto-darkening welding filter	SP9873076
Magnifying lens holder	SP023179
Magnifying lens 1.0x	9873260
Magnifying lens 1.5x	9873261
Magnifying lens 2.0x	9873262
Magnifying lens 2.5x	9873263
Helmet bag, small	SP023780
Universal neck protector	SP015579

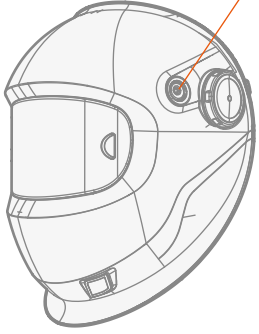
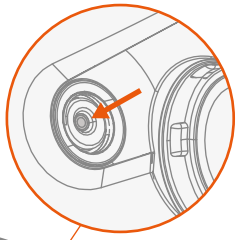
6



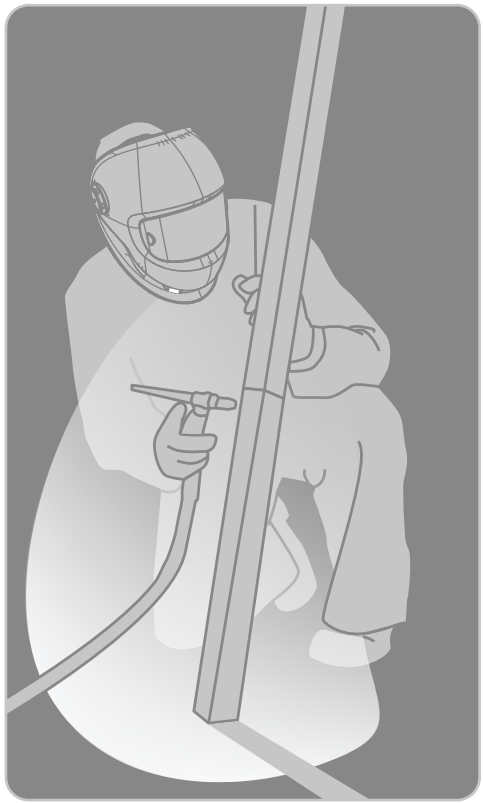
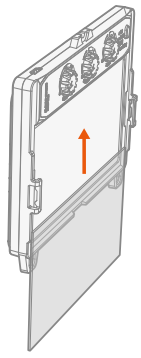
7



8



9



Zeta W200/W200x

	MMA (E-Hand)	MIG, Ss	MIG, Al	MAG, CO ₂	TIG	Gouging	Plasma cutting
15 A					9		
20 A	9				10		
30 A							
40 A							
60 A	10			10	11		
80 A		10	10				
100 A				11			11
125 A	11	11	11	12	12	10	
150 A							
175 A							
200 A			12	13	13	11	12
225 A		12					
250 A	12					12	
275 A			13				
300 A					14	13	13
350 A		13		14			
400 A	13	13	14			14	
450 A							
500 A		14		15		15	
550 A	14	14	15				
600 A	15	15					



Welding helmet weight – Svejsehjelmens vægt – Gewicht der Schweißerschutzmaske – Peso de la máscara de soldadura – Hitsauskypärän paino – Poids du masque de soudage – Peso del casco per saldatura – Gewicht lashed – Sveisemaskevekt – Masa przyłbicy – Peso da máscara de soldagem – Масса сварочной маски – Svetshjälms vikt – 电焊帽重量



See information supplied by the RPD manufacturer – Se oplysningerne fra RPD-producenten – Siehe die vom RPD-Hersteller bereitgestellten Informationen – Véase la información suministrada por el fabricante de la unidad RPD – Katso hengityksensuojaimen valmistajan toimittamat tiedot – Voir les informations fournies par le fabricant du RPD – Vedere le informazioni fornite dal produttore RPD – Zie de informatie die is verstrekt door de RPD-fabrikant – Se informações som leveres av RPD-tilvirker – Patrz informacje podane przez producenta zaworu – Veja as informações fornecidas pelo fabricante do RPD – См. информацию, предоставленную производителем средств индивидуальной защиты органов дыхания – Se information från RPD-tillverkaren – 请参见 RPD 制造商提供的信息



Declarations of Conformity – Overensstemmelseserklæringer – Konformitätserklärungen – Declaraciones de conformidad – Vaatimustenmukaisuusvakuutuksia – Déclarations de conformité – Dichiarazioni di conformità – Verklaringen van overeenstemming – Samsvarserklæringer – Deklaracje zgodności – Declarações de conformidade – Заявления о соответствии – Försäkran om överensstämmelse – 符合性声明



userdoc.kemppi.com

