

## OMNIUM WELDING SCREEN



### COMPOSITION

- For steel basic welding screen:
- Carbon steel tubes, profiles, powder coated.
- Contain no toxic parts.
- Contain no inflammable parts.
- Contain no electrical parts.

### USE AND HANDLING

Coating and tread surface castors will be damaged by open fire or intensive heat. There is a possibility that the screen will stuck by rough, unequal floor conditions. Oil or grease pollution do not have negative effects on the screens condition.

### MAINTENANCE AND SAFETY

- Bolts must be periodic checked at free assembly.
- Castors must be checked on contamination to avoid malfunction.
- It is not safe to step on the screen for mobile purposes.
- Beams are only applicable for use of pvc strips, curtains, sheets or blankets, not for heavy weight products which overload the profile and castors.
- It is not recommended for hoisting operations.
- Swivel arm is only suitable for use of strip or curtain separation It is not recommended for hoisting operations.

### FEATURES

Made from solid welded carbon steel tube and profiles. Screen is free moveable in any direction, castors can be turned for 360°. To apply the brake option on two castors, screen can be fixed at one position.

Poles can be provided with a hinge part on top at both sides to apply a swivel arm, to extent the separation at one or both sides.

Screen will be supplied in loose parts and must be fixed with included metric fasteners by basic tools.

### DESIGN

Distance between floor level and upper beam is 200 cms, total width 213 cms. To obtain a stable construction, both foot profiles do have a length of 60 cms.

## OMNIUM WELDING SCREEN



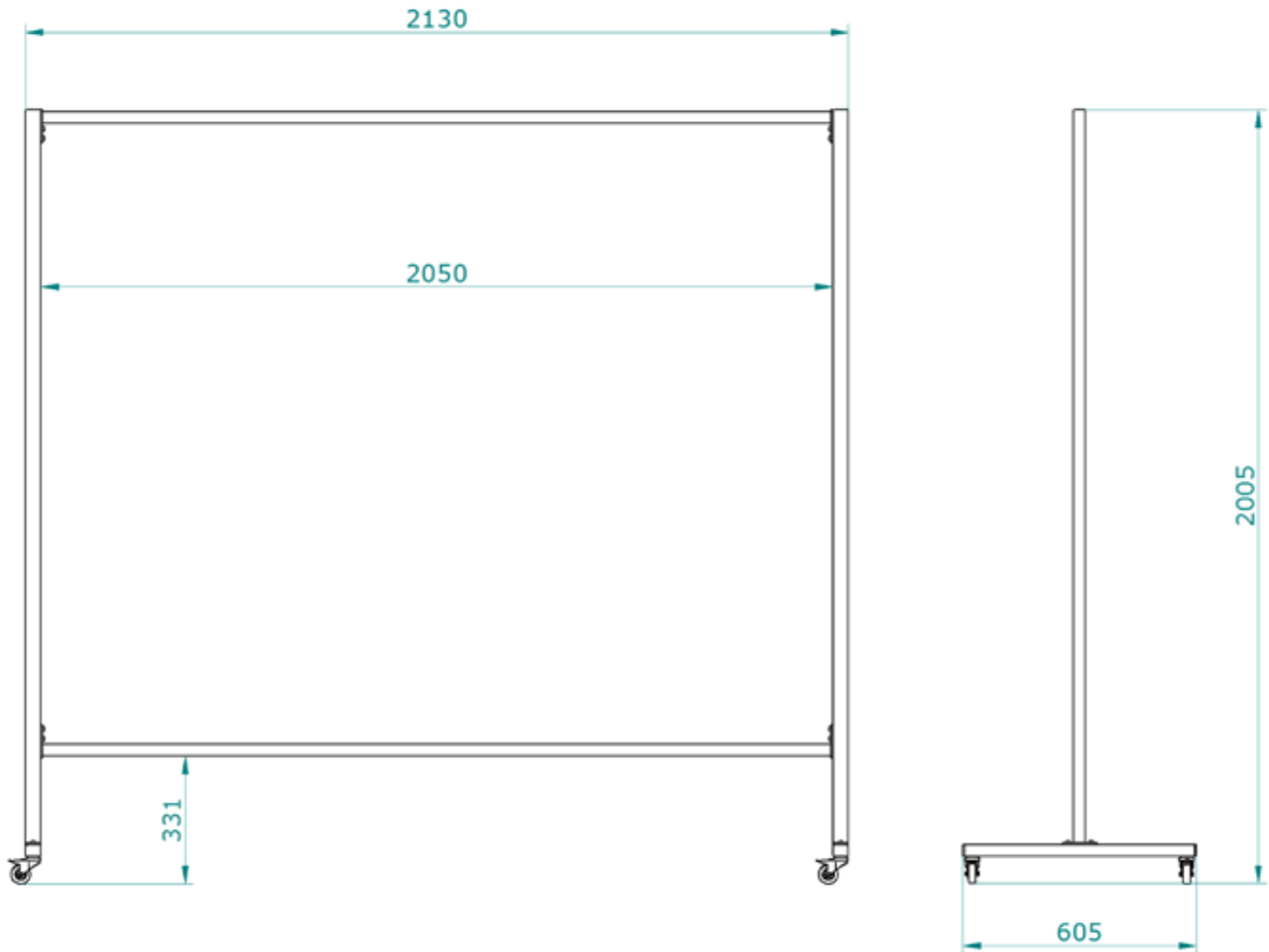
### TECHNICAL SPECIFICATION

Type of welding screen	: solid, mobile screen
Total weight, basic screen	: 19 kgs.
Maximum static load beam	: 400 N
Maximum dynamic peak load beam	: 600 N
Range	: free moveable, 360°
Overall size height	: 2005 mm
Functional width	: 2130 mm
Fasteners	: Metric
Castor	: Ø50 mm
Castor	: 2 with break, 2 without brake
Castor	: maximum load 40 kgs
Castor	: Range 360°
Operation	: by hand
Coating	: powder coated in grey RAL7035
Materials	: steel tube and profiles
Application	: for internal use

## OMNIUM WELDING SCREEN



### DIMENSIONS OMNIUM SINGLE SCREEN



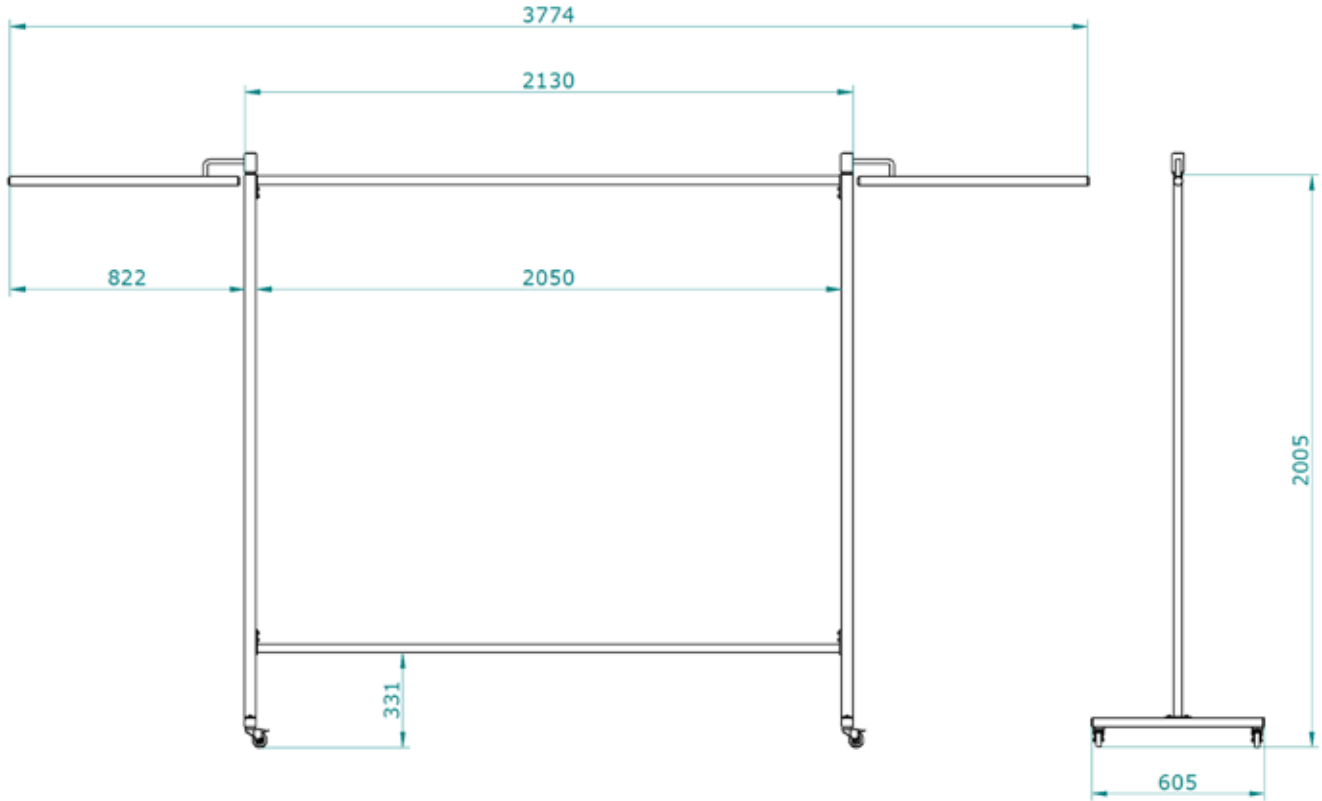
Version 001 - Check our website for the latest version.

CEPRO\_PFS\_Welding screens\_Omnium\_2EN

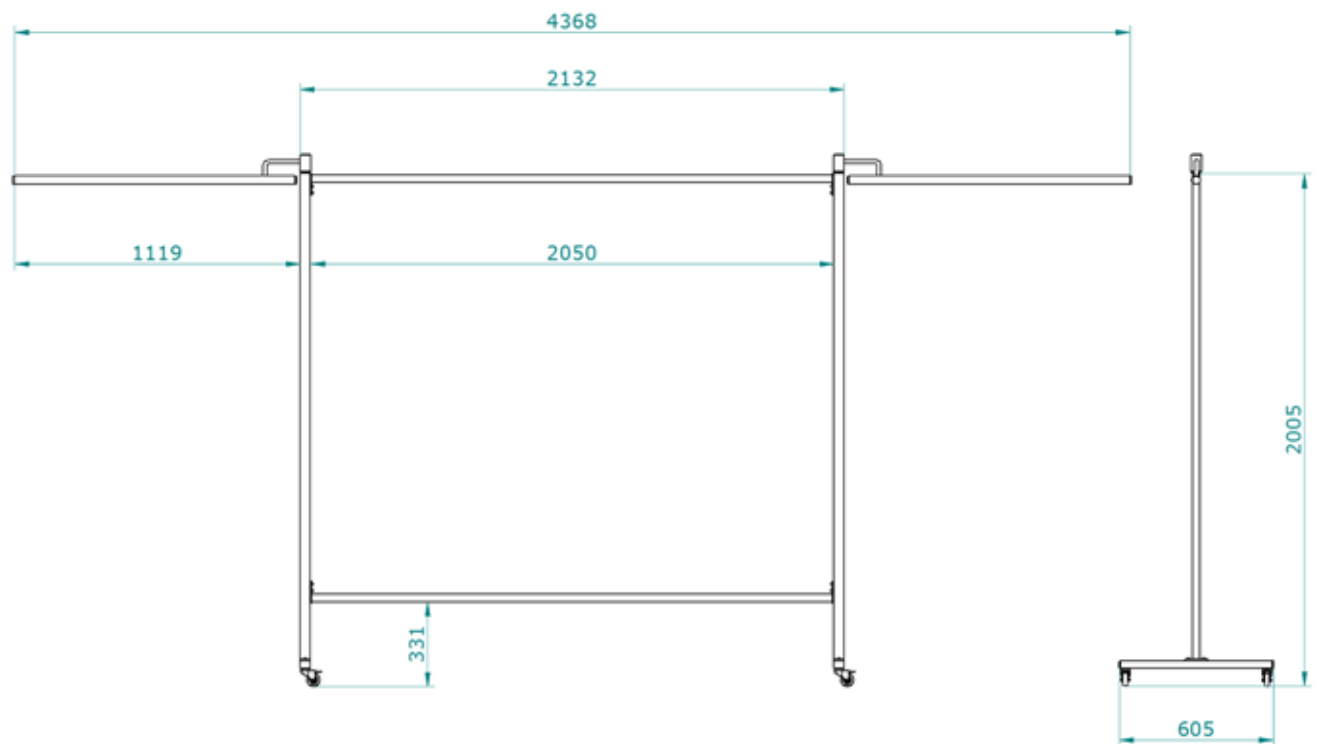
## OMNIUM WELDING SCREEN



### DIMENSIONS OMNIUM TRIPTYCH SCREEN SWIVEL ARMS 80 CM



### DIMENSIONS OMNIUM TRIPTYCH SCREEN SWIVEL ARMS 110 CM



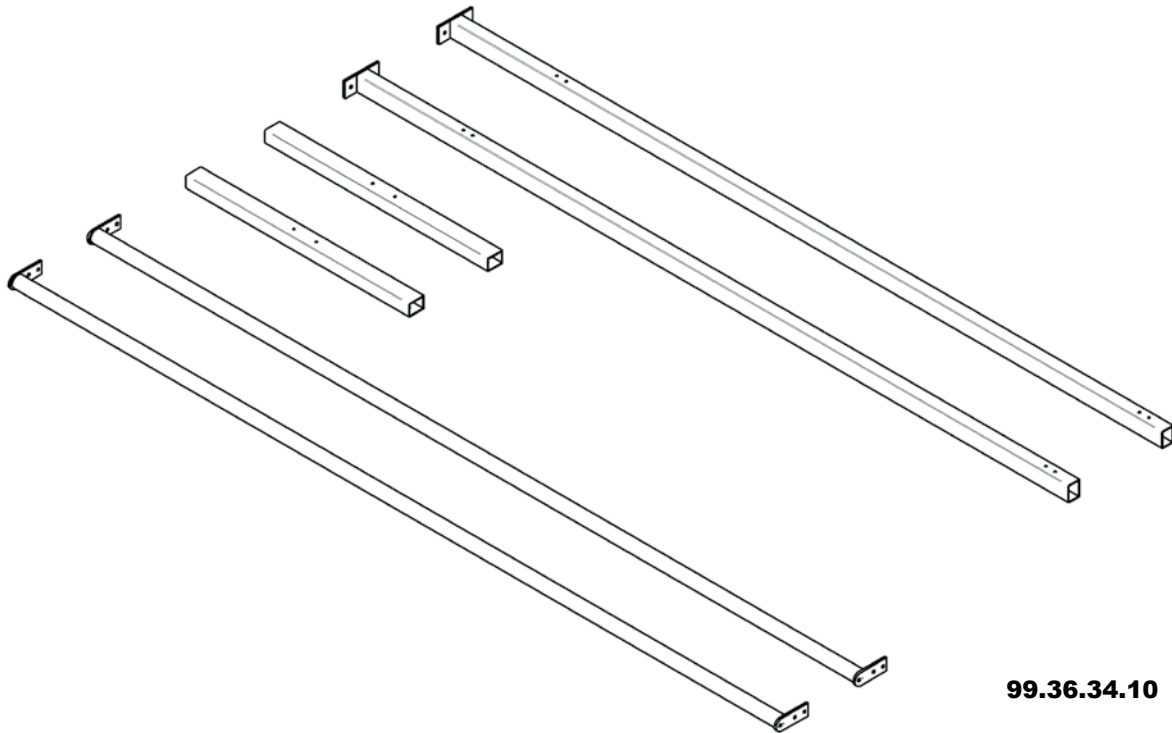
Version 001 - Check our website for the latest version.

CEPRO\_PFS\_Welding screens\_Omnium\_2EN

## OMNIUM WELDING SCREEN

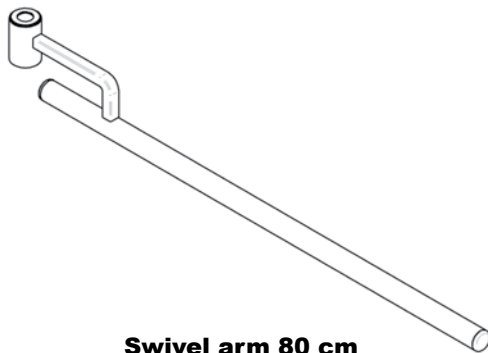


### PART LIST - BASIC PARTS OMNIUM WELDING SCREEN

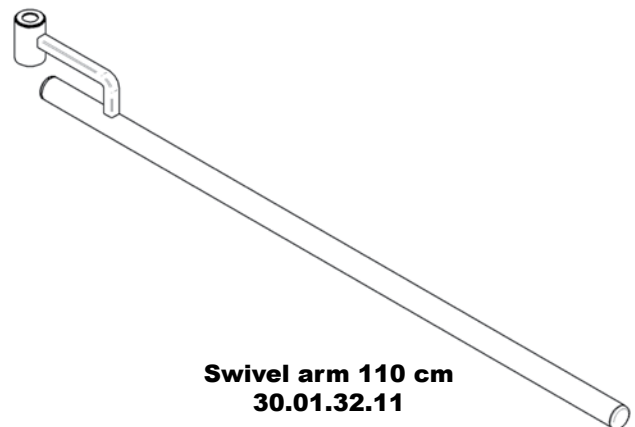


**99.36.34.10**

### PART LIST - SWIVEL ARMS OMNIUM WELDING SCREEN



**Swivel arm 80 cm**  
**30.01.34.08**



**Swivel arm 110 cm**  
**30.01.32.11**


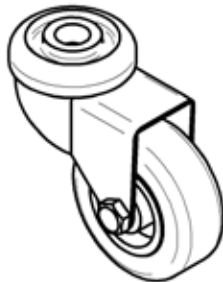
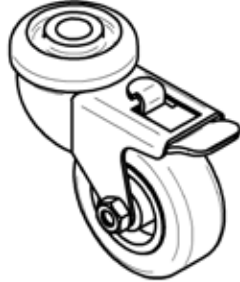


**Hinge for swivel arm**  
**80.10.08**

## OMNIUM WELDING SCREEN







### PART LIST ACCESSOIRES OMNIUM WELDING SCREEN

40x30	Ø 50	Ø 50
		
6 x	2 x	2 x

Cap end PVC

Castor without break  
30.04.34.00

Castor with break  
30.04.34.01

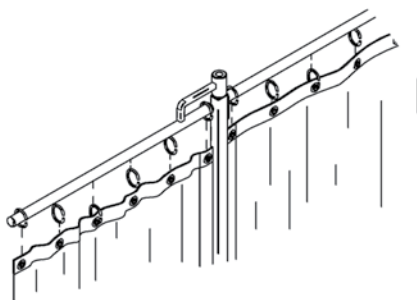
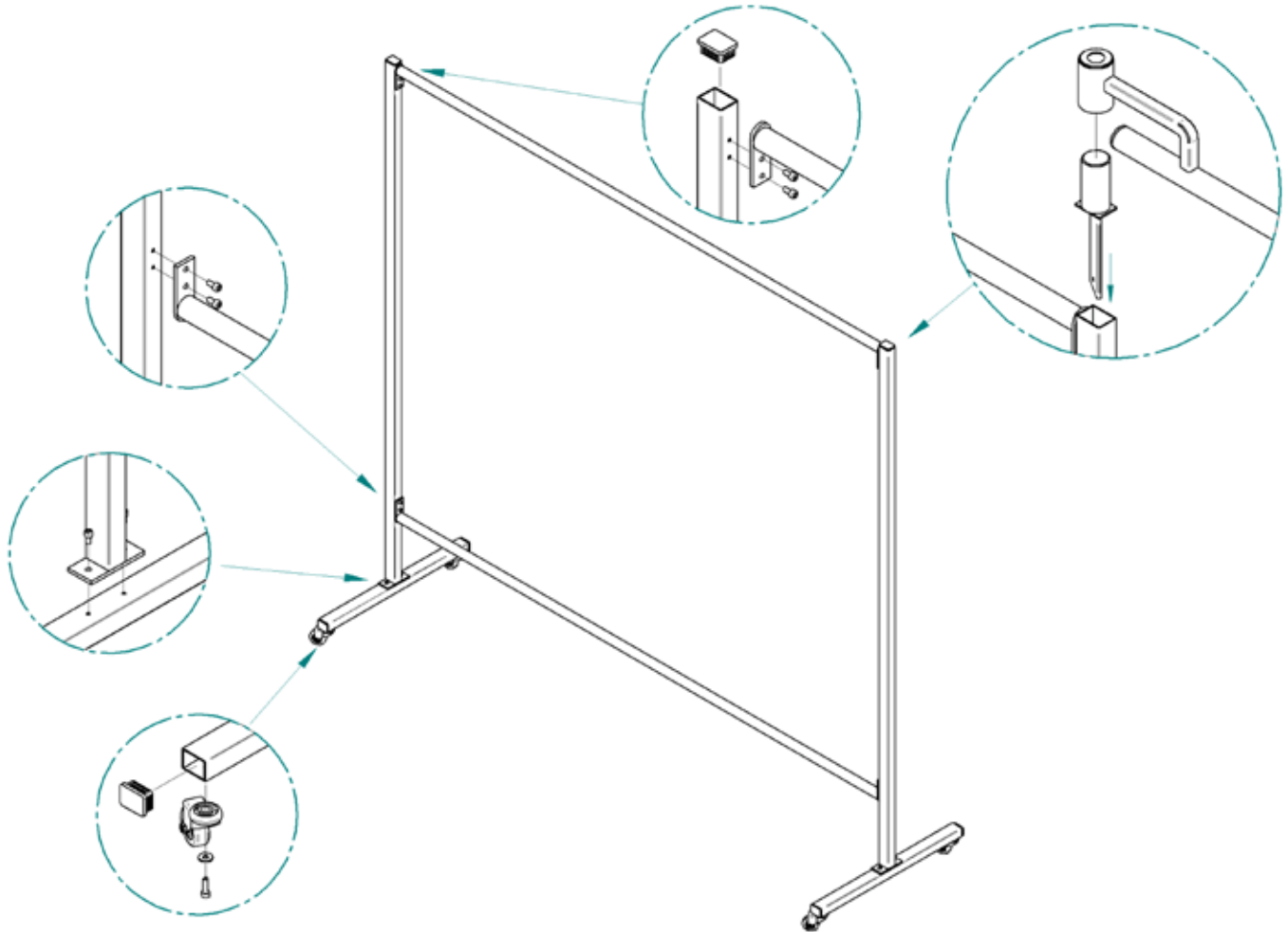
M6x12	M6x20	Ø18x6,5	no. 5
			
12 x	4 x	4 x	1 x

Set fasteners basic screen

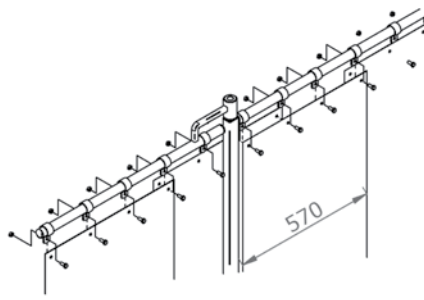
## OMNIUM WELDING SCREEN



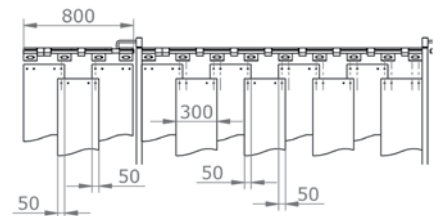
### MOUNTING INSTRUCTION OMNIUM WELDING SCREEN



**Mounting curtains**



**Mounting sheet**



**Mounting strips**

Version 001 - Check our website for the latest version.

CEPRO\_PFS\_Welding screens\_Omnium\_2EN