

MBH

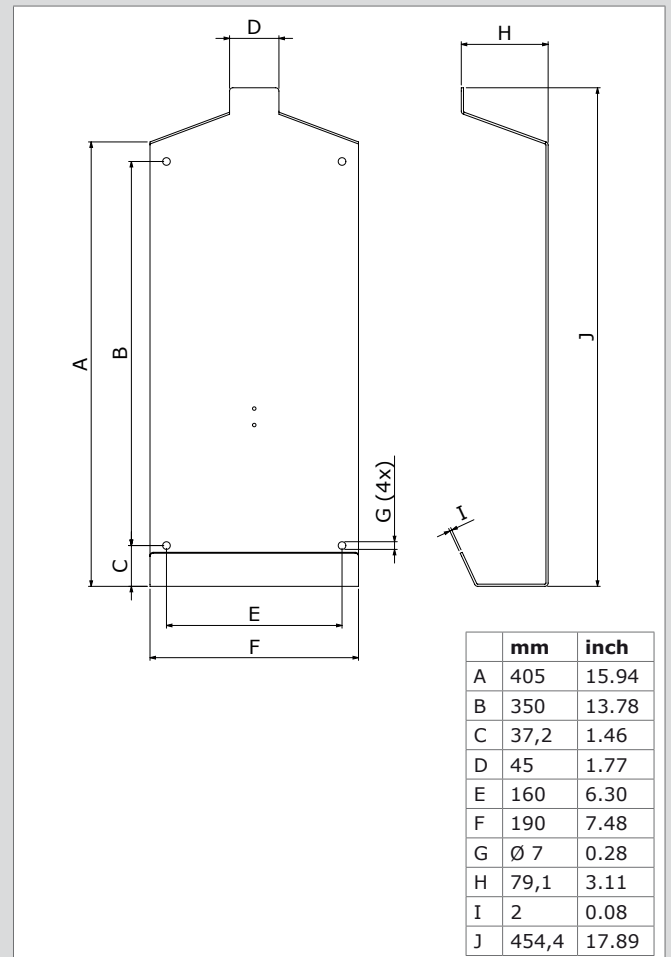
WALL MOUNTING BRACKET

The MBH is used to mount a portable welding fume extractor to the wall.



SPECIFICATIONS

■ Physical dimensions and properties	
Material	epoxy-coated sheet metal
Weight (net)	1753 g (3.8 lbs)
Colour	black RAL 9005
■ Product combinations	
PHV	portable welding fume extractor
■ Scope of supply	
Wall mounting bracket	
■ Order information	
Article number	7915303000
Number/package	1
■ Shipping data	
Gross weight	2000 g (4.4 lbs)
Packing dimensions	475 x 200 x 100 mm (18.7 x 7.9 x 3.9 in.)
Harmonized Tariff Code	8421.9900.99
Country of origin	the Netherlands



Product type	MBH
Article no.	7915303000
Product category	Options and accessories
Version	230910/A

Always check the latest version on www.plymovent.com.